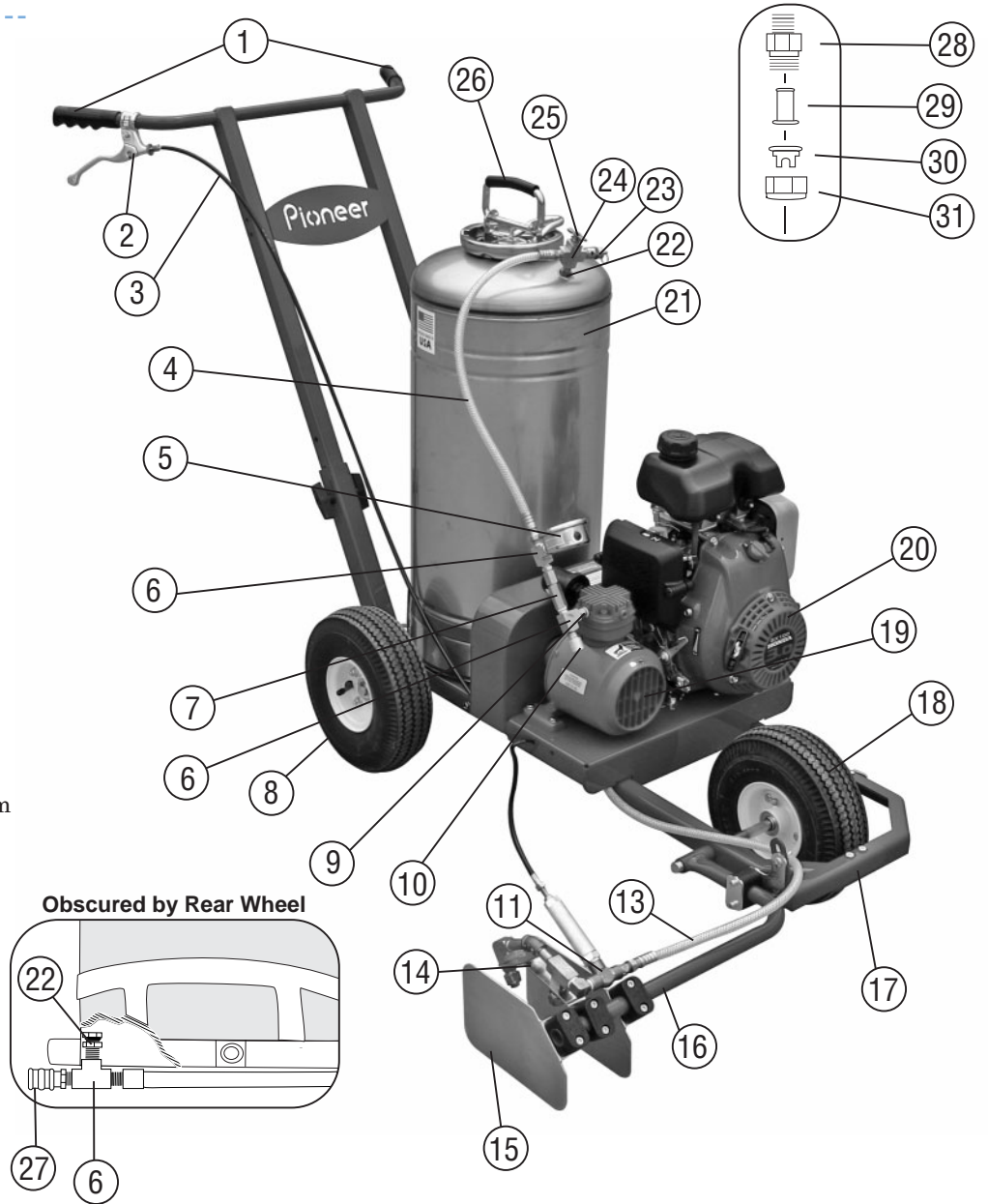


PARTS LIST

BRITE STRIPER[®] MODEL 1600

KEY#	PART #	DESCRIPTION
1	1503	Hand Grip
2	1505	Paint Control Lever
3	1636	Paint Control Cable
4	1609	20" Airline Hose
5	0311	Low Pressure Gauge
6	0104	Tee with Nipple
7	1532	Check Valve
8	1215	Rear Wheel
--	1528	Rear Axle
9	0096	Brass Nipple
10	1629	Safety Relief Valve
11	1635	Shut-Off Valve
13	1638	50" Paint Line Hose
14	1523	2-Head Sprayer Assy.
15	1524	Side plate
--	1544	Side Plate or Nozzle Assy. Clamps
16	1546	Spray Box Support Arm
17	1542	Height Adjustment Bracket
18	1216	Front Wheel
--	1531	Front Axle
--	1218	Wheel Bearings
19	1630	Compressor
--	1618	Compressor Pulley
20	1627	Engine
--	1619	Engine Pulley
--	1611	* Air Cleaner
--	1616	* Spark Plug
--	1606	* Drive Belt
21	1500	12 Gal. Paint Tank
22	0080	Bushing Fitting
23	0103	* Safety Relief Valve
24	0090	Cross Fitting
25	0125	Bleed-off Valve
26	1102	Pump Assembly
--	0119	* Tank Gasket
--	0076	Rubber End for Pump Assy.
27	5088	Female Quick Disconnect



KEY#	PART #	DESCRIPTION
28	0116	Nozzle Body
29	0115	* Nozzle Screen
30	0112	* Nozzle Tip
31	0114	* Nozzle Cap
--	0135	Nozzle Assembly Kit (4 ea. #0112, #0115, 2 ea. #0114)
--	1621	Handle
--	1625	Frame
--	1626	Belt Guard

KEY#	PART #	DESCRIPTION
--	1212	12' Hand Hose with Wand
--	1213	12' Hand Hose only
--	0094	Wand only
--	1515	20' Hand Hose with Wand
--	1533	Drain Hose 4'
--	1550	Track Boom Assy.
--	1550	Track Boom Assy.

*Indicate parts included for Tuneup Kit part # 1601