

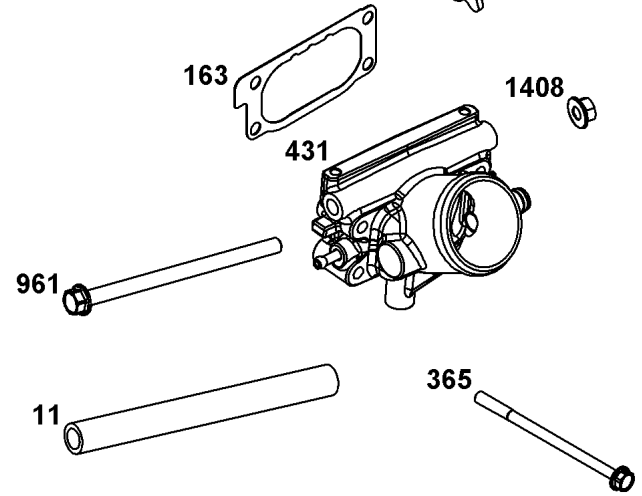
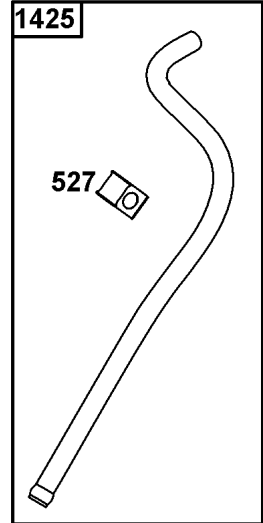
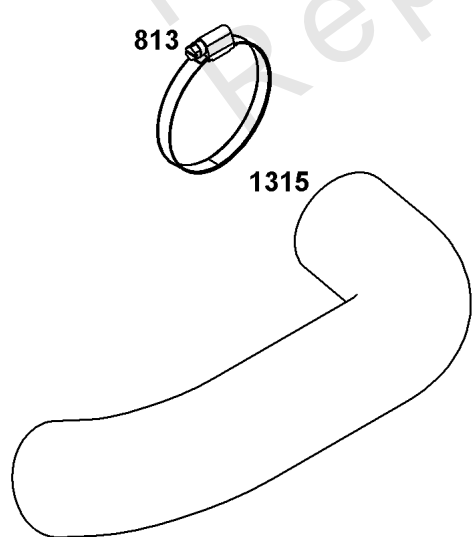
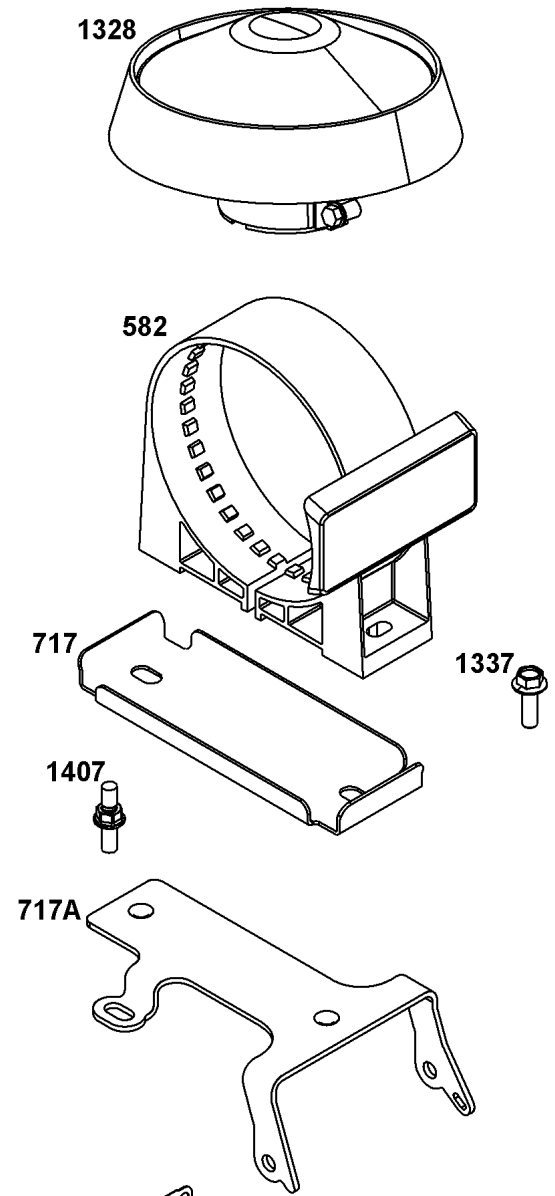
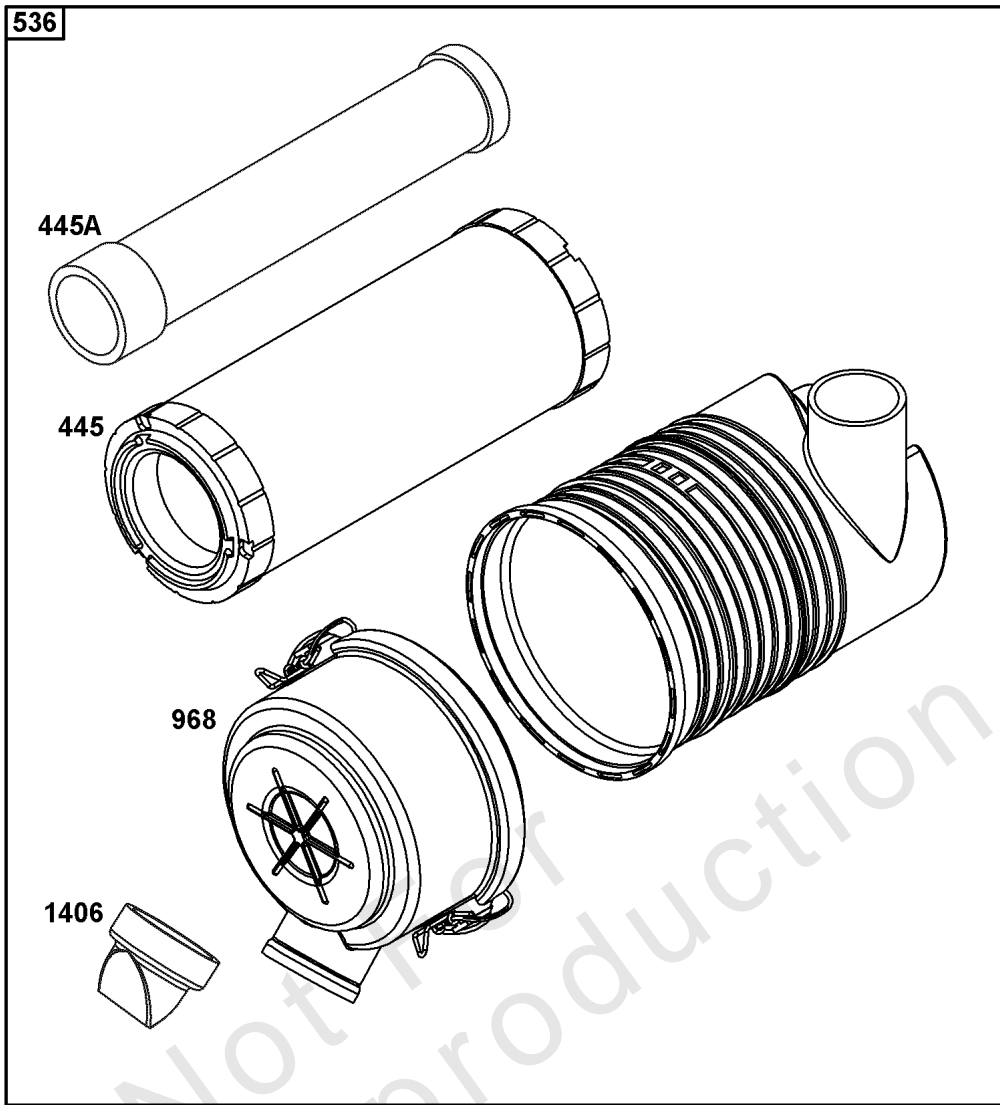


Parts Manual

Mfg. No: 613777-0014-J1

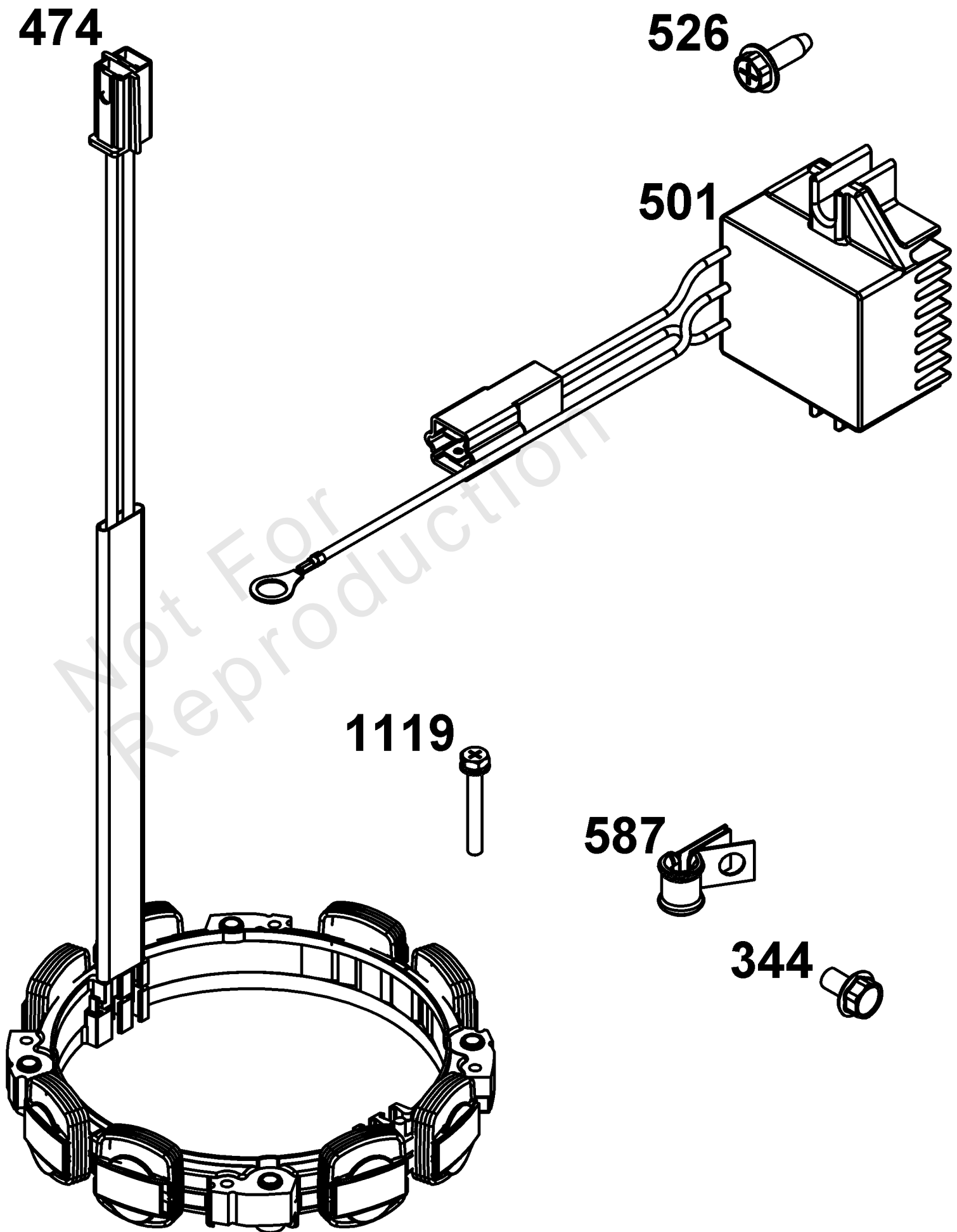
Model Components	Page
Air Cleaner Group.....	4
Alternator Group.....	6
Blower Housing Group.....	8
Carburetor and Fuel Supply Group.....	10
Controls Group.....	14
Crankcase Cover/Sump Group.....	16
Crankshaft Group.....	18
Cylinder Group.....	20
Cylinder Head Group.....	24
Flywheel, Ignition, and Starter Group.....	28
Lubrication Group.....	30
Replacement Engine - US & Canada.....	32
Model 54-61 Engine Accessories Catalog.....	33
Maintenance Kits.....	34

Not For
Reproduction



Air Cleaner Group


REF NO	PART NO	QTY	DESCRIPTION
11	842541	1	TUBE, Breather
163	807375	1	GASKET, Air Cleaner
365	-----	4	SCREW -(Part information located in Carburetor and Fuel Supply Group.)
431	845862	1	MANIFOLD, Intake
445	841497	1	FILTER, A/C Cartridge
445A	821136	1	FILTER, A/C Cartridge
527	807116	1	CLAMP, Cable
536	809670	1	CLEANER, Air
582	809878	1	CLAMP, Air Cleaner
717	841886	1	BRACKET, Air Cleaner
717A	842529	1	BRACKET, Air Cleaner
813	593625	2	CLAMP
961	846829	1	SCREW -(Air Cleaner Bracket)
968	842621	1	COVER, Air Cleaner
1315	809905	1	HOSE, Air Cleaner
1328	809907	1	CAP, A/C Rain
1337	807382	2	SCREW -(Air Cleaner Clamp)
1406	842623	1	VALVE, Debris
1407	842531	1	STUD -(Air Cleaner Bracket)
1408	690941	2	NUT -(Air Cleaner Bracket)
1425	844712	1	HOSE, Purge Line



Alternator Group

REF NO	PART NO	QTY	DESCRIPTION
344	841233	1	SCREW -(Cable Clamp)
474	846882	1	ALTERNATOR
501	847385	1	REGULATOR
526	690717	2	SCREW -(Regulator)
587	846866	1	CLAMP, Cable
1119	691552	4	SCREW -(Alternator)

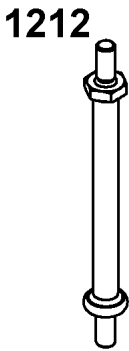
Not For Reproduction

1319 

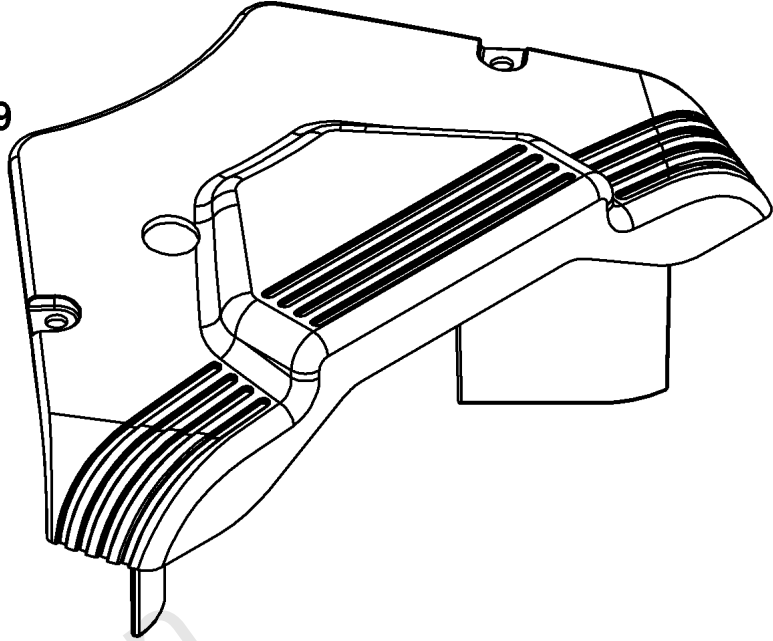
1319A 

1319B 

1036 



879

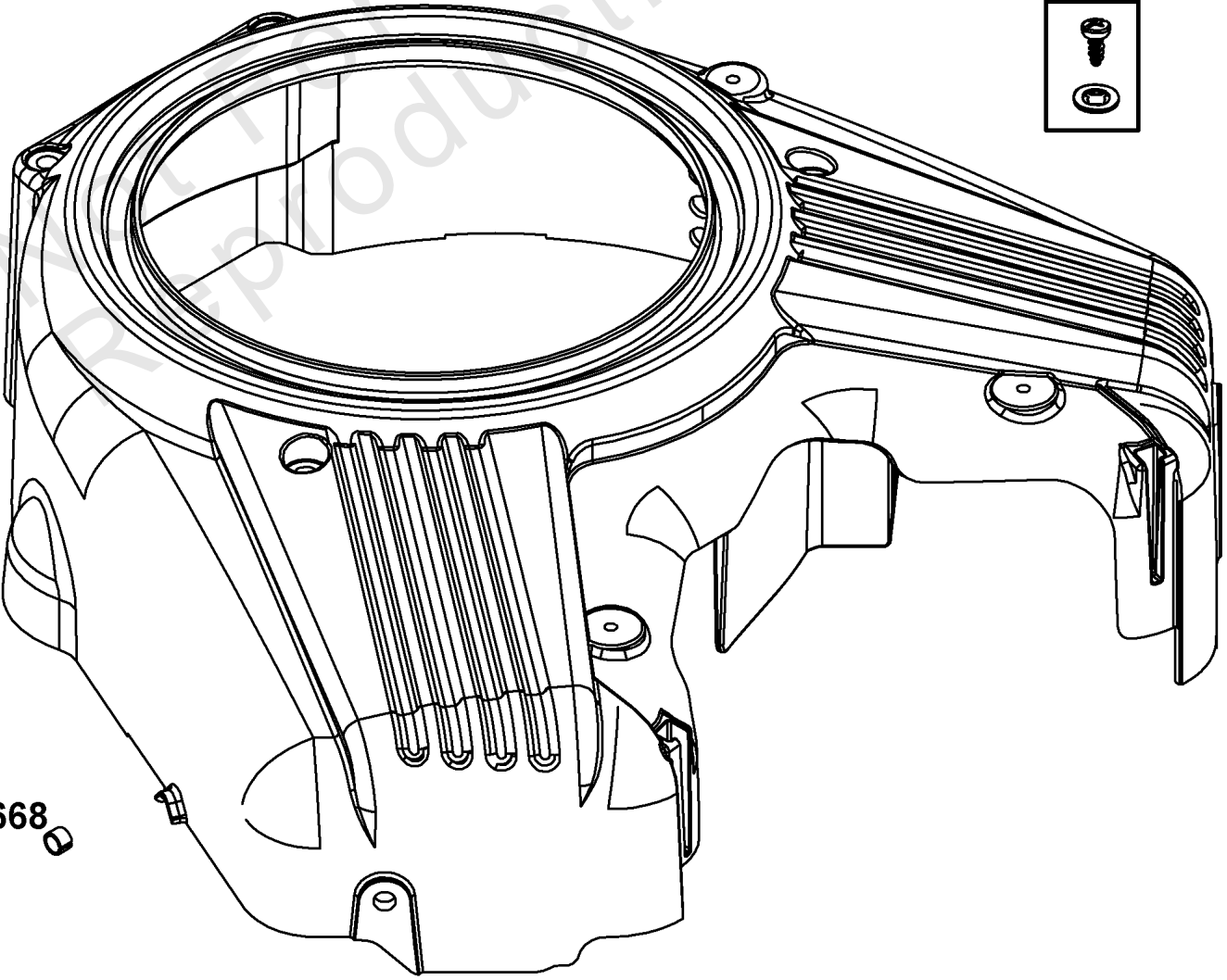


304

1059



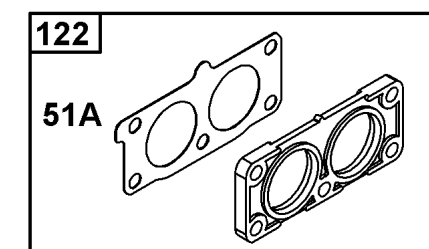
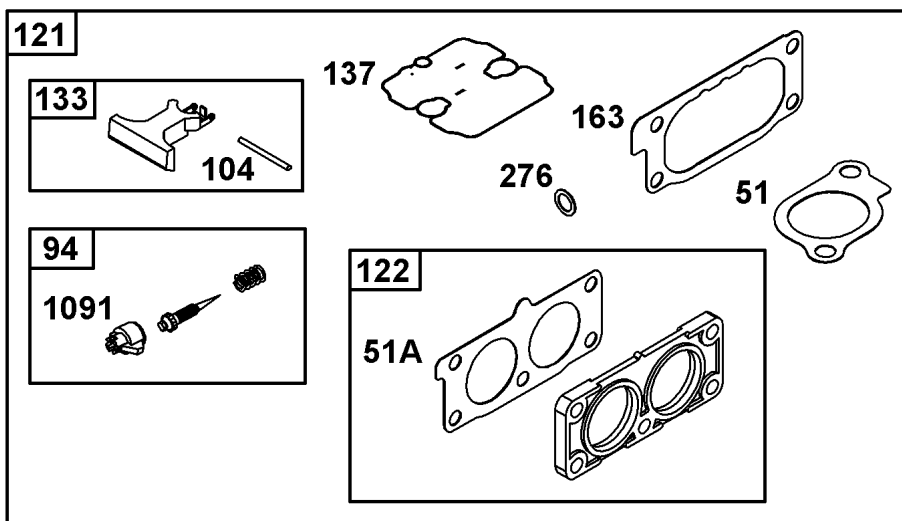
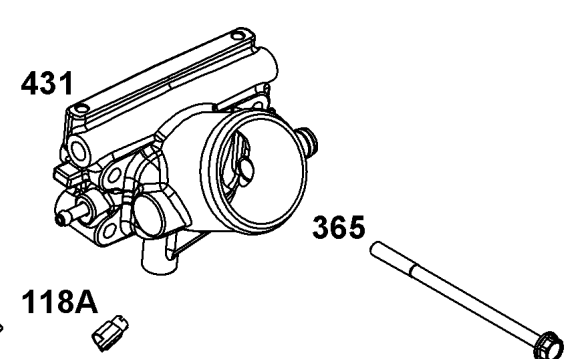
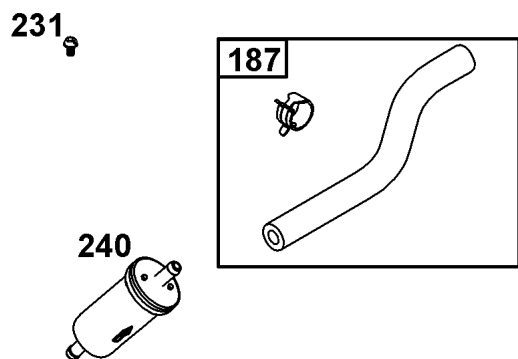
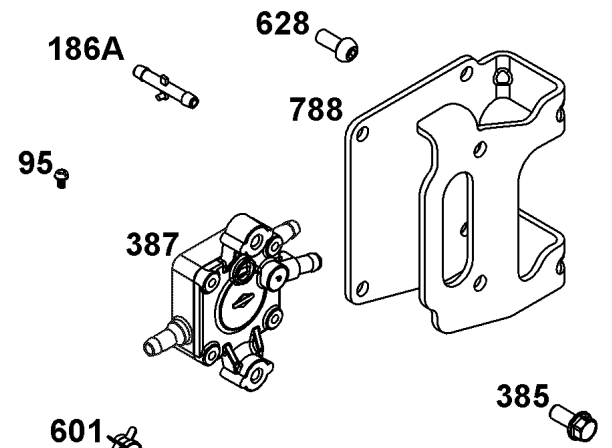
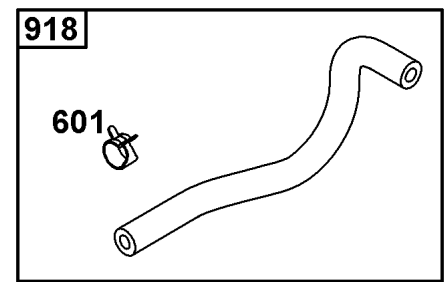
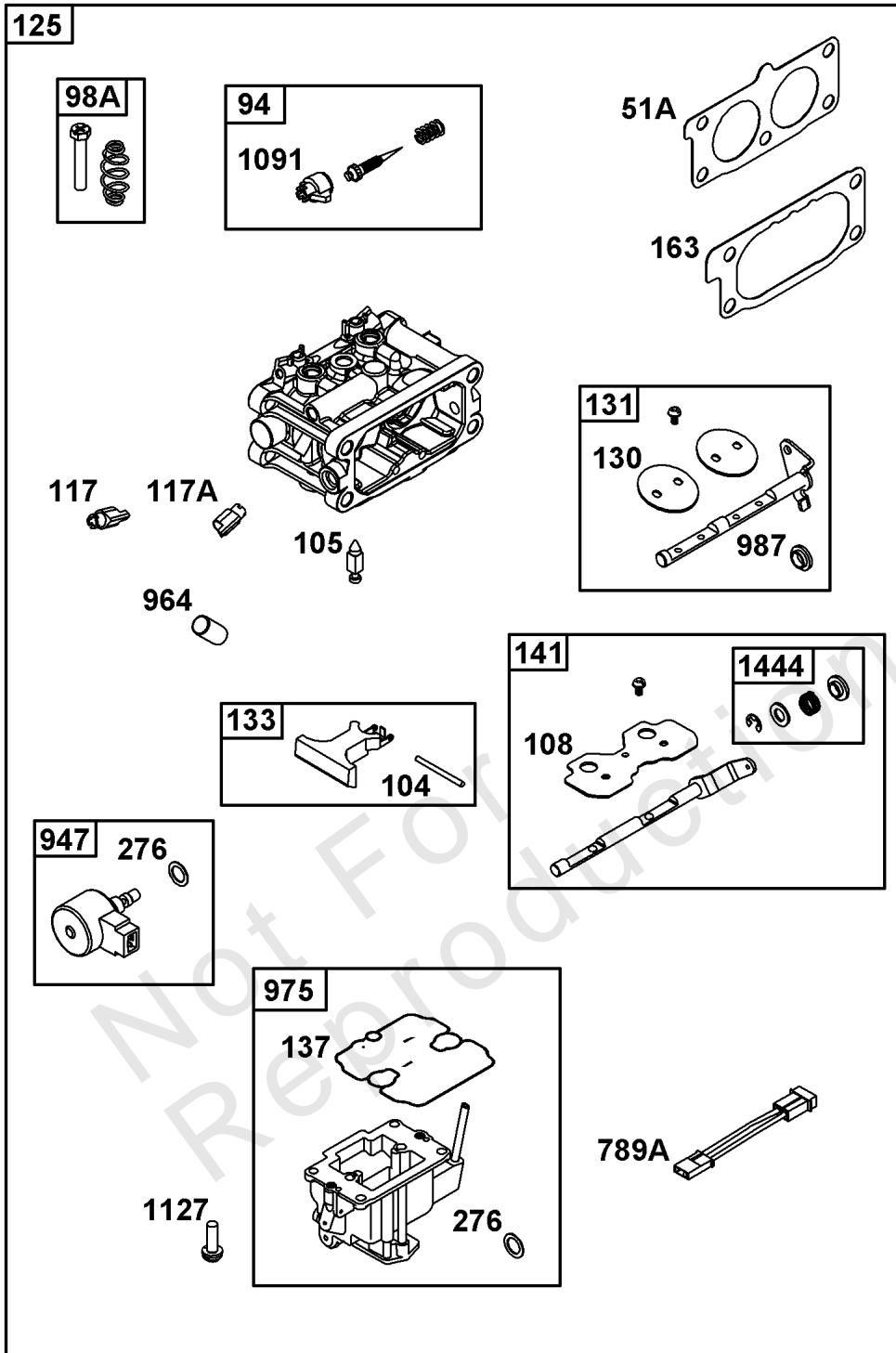
668 



Blower Housing Group

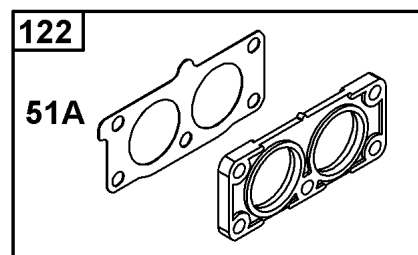
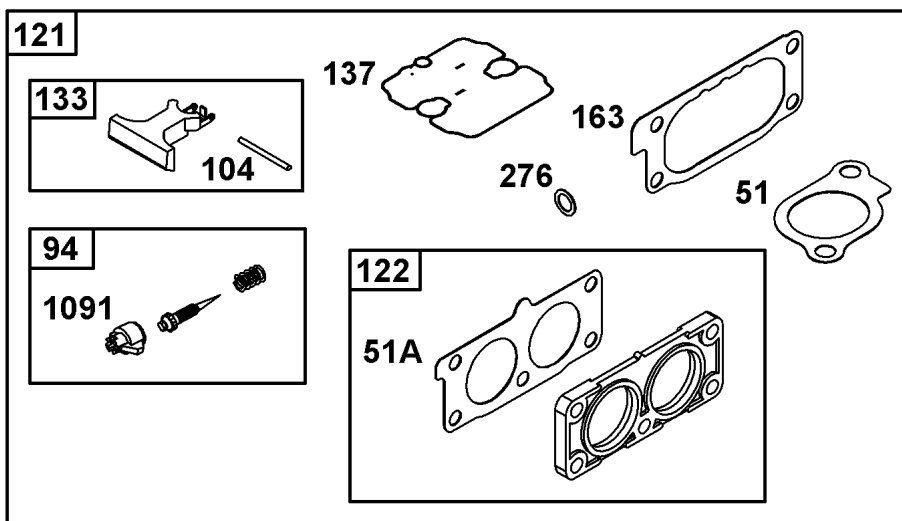
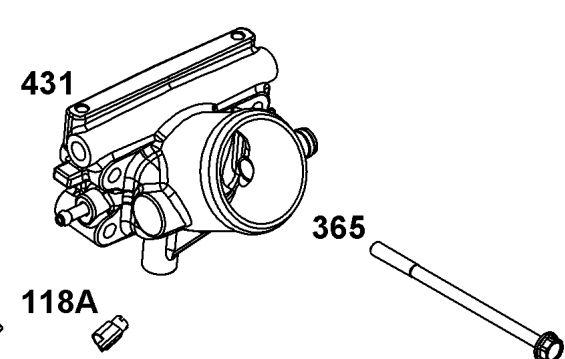
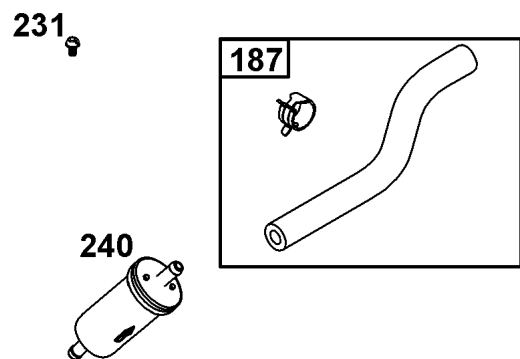
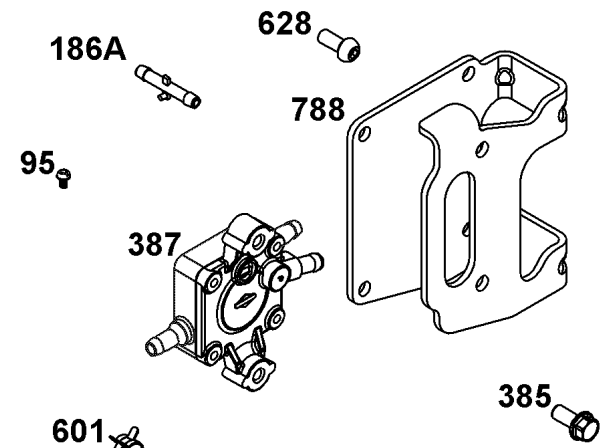
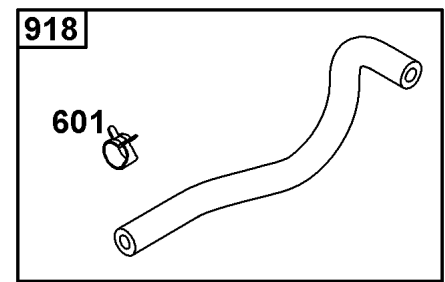
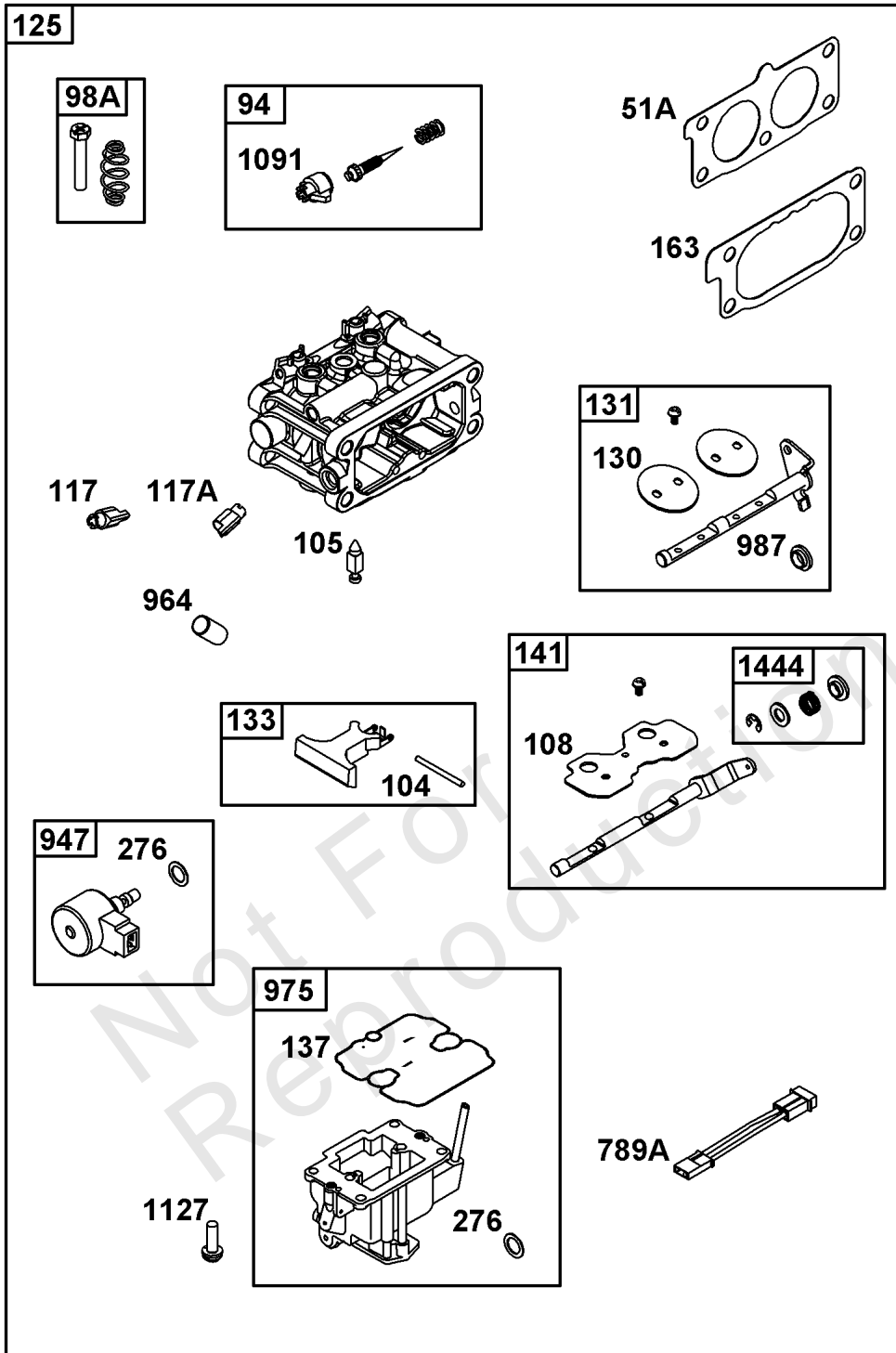
REF NO	PART NO	QTY	DESCRIPTION
304	846964	1	HOUSING, Blower
668	841974	6	SPACER
879	842526	1	COVER, Carburetor/EFI
1036	-----	1	LABEL, Emissions -(Available from a Briggs & Stratton Authorized Dealer)
1059	846250	2	SCREW
1059	845300	2	KIT, Screw/Washer
1212	809958	4	STUD -(Blower Housing)
1319	794467	1	LABEL, Warning -(REQUIRED When Replacing Parts With Warning Labels Affixed)
1319A	797669	1	LABEL, Warning -(REQUIRED When Replacing Parts With Warning Labels Affixed)
1319B	278911GS	1	LABEL, Warning -(REQUIRED When Replacing Parts With Warning Labels Affixed)

Not For Reproduction



Carburetor and Fuel Supply Group

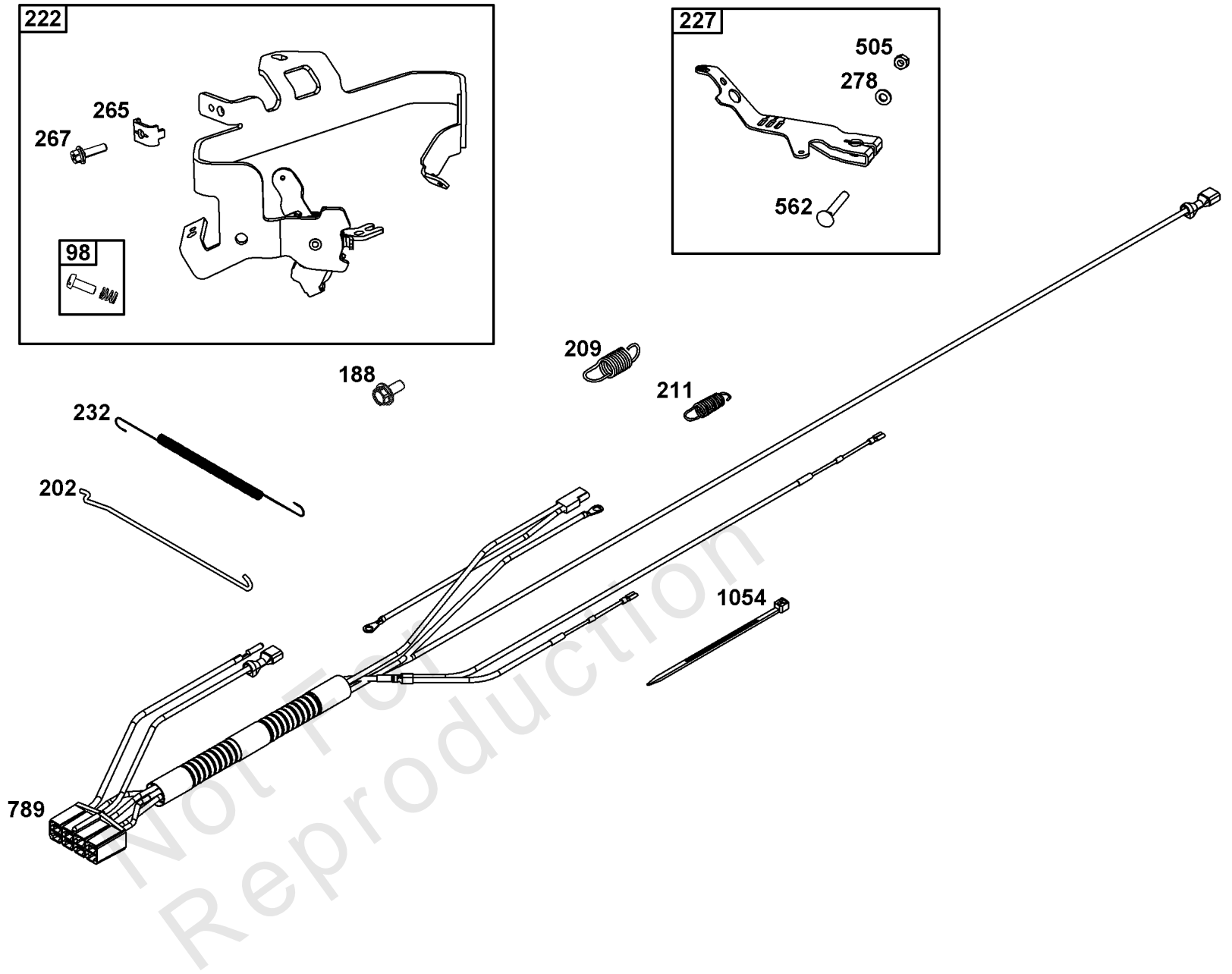
REF NO	PART NO	QTY	DESCRIPTION
51	-----	2	GASKET, Intake -(Part information located in Cylinder Head Group.)
51A	-----	2	GASKET, Intake -(Part information located in Cylinder Head Group.)
94	843295	2	KIT, Idle Mixture
95	690718	4	SCREW -(Throttle Valve)
98A	809716	1	KIT, Idle Speed
104	690739	1	PIN, Float Hinge
105	843366	1	VALVE, Float Needle
108	844652	1	VALVE, Choke
117	843587	1	JET, Main -(Standard) (Left Jet)
117A	842098	1	JET, Main -(Standard) (Right Jet)
118	842104	1	JET, Main -(High Altitude) (Left Jet)
118A	843587	1	JET, Main -(High Altitude) (Right Jet)
121	843297	1	KIT, Carburetor Overhaul -(Service Kits may include extra parts not specific to this engine.)
122	846245	1	SPACER, Carburetor
125	845272	1	CARBURETOR
130	841913	2	VALVE, Throttle
131	844789	1	KIT, Throttle Shaft
133	809637	1	FLOAT, Carburetor
137	809645	1	GASKET, Float Bowl
141	845037	1	KIT, Choke Shaft
163	-----	1	GASKET, Air Cleaner -(Part information located in Air Cleaner Group.)
186A	845121	1	CONNECTOR, Hose
187	791766	1	LINE, Fuel
231	690718	2	SCREW -(Choke Valve)
240	845125	1	FILTER, Fuel
276	806476	1	WASHER, Sealing
365	841853	4	SCREW -(Carburetor/Throttle Body)
385	807084	2	SCREW -(Fuel Pump)
387	84003048	1	PUMP, Fuel
431	845862	1	MANIFOLD, Intake -(Part information located in Air Cleaner Group.)
601	691038	4	CLAMP, Hose
628	-----	4	SCREW -(Part information located in Cylinder Head Group.)
788	844530	1	BRACKET, Fuel Pump
789A	843364	1	HARNESS, Wiring
918	844526	2	HOSE, Vacuum
947	842109	1	SOLENOID, Fuel
964	809640	1	CAP, Carburetor
975	842106	1	BOWL, Float
987	809639	2	SEAL, Choke/Throttle Shaft
1091	691515	2	CAP, Limiter
1127	809715	4	SCREW -(Float Bowl to Carburetor Body)



Carburetor and Fuel Supply Group

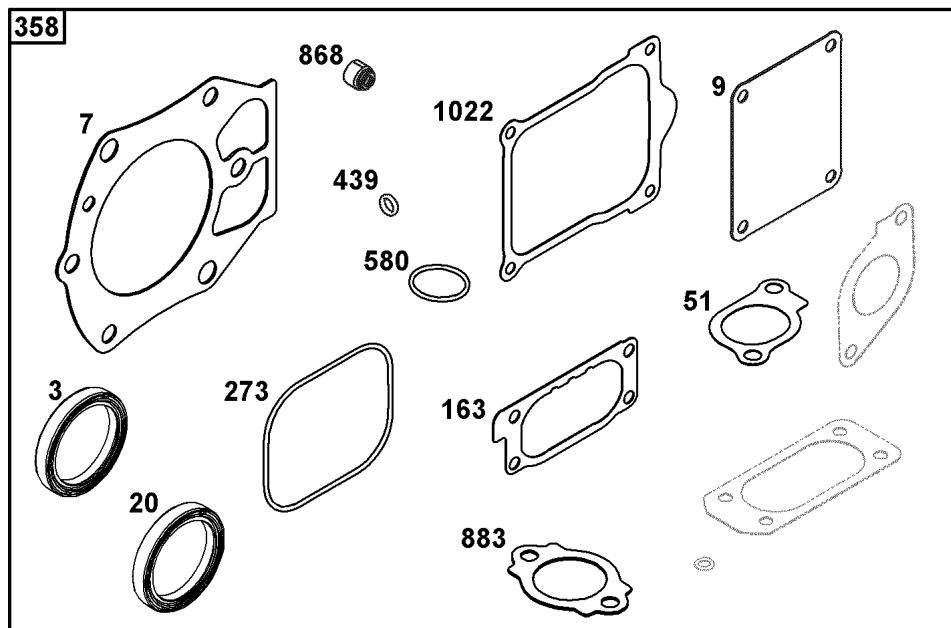
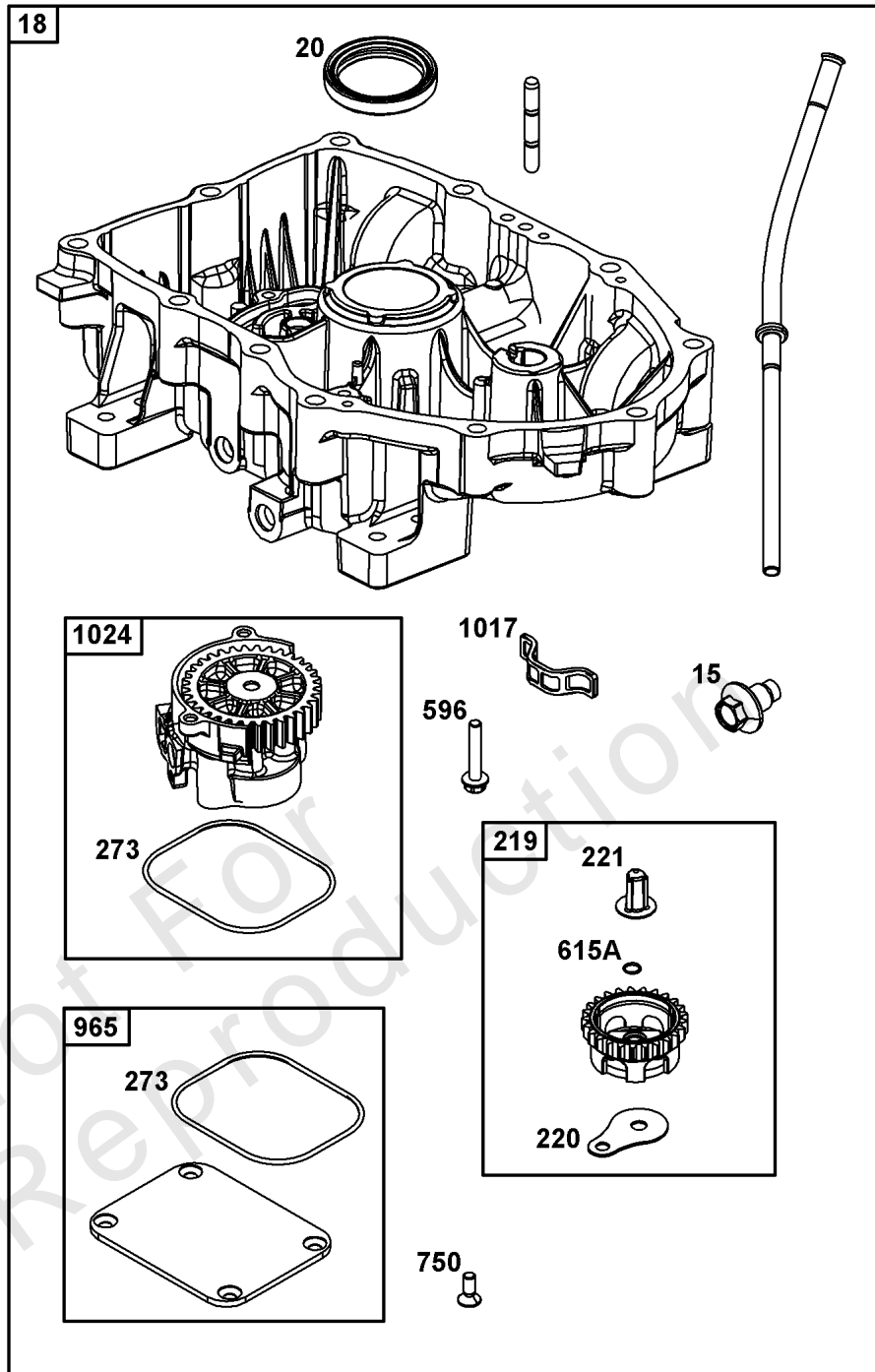
REF NO	PART NO	QTY	DESCRIPTION
1444	845039	1	KIT, Choke Shaft Seal

Not For Reproduction



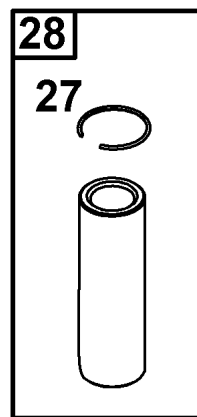
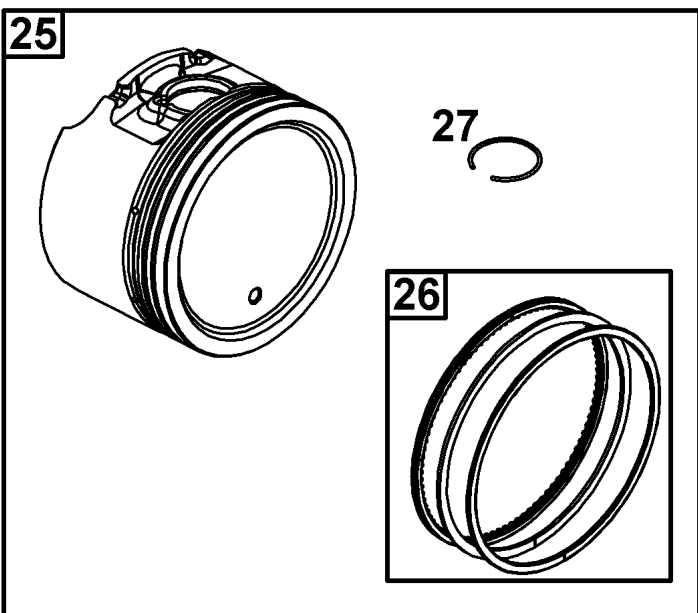
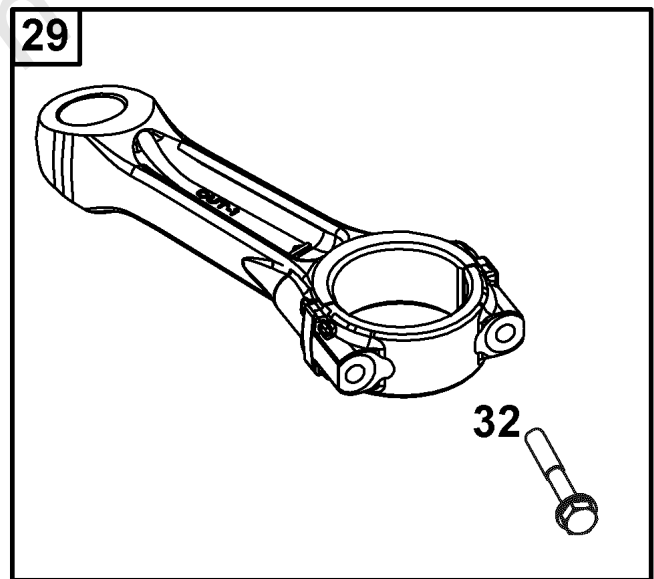
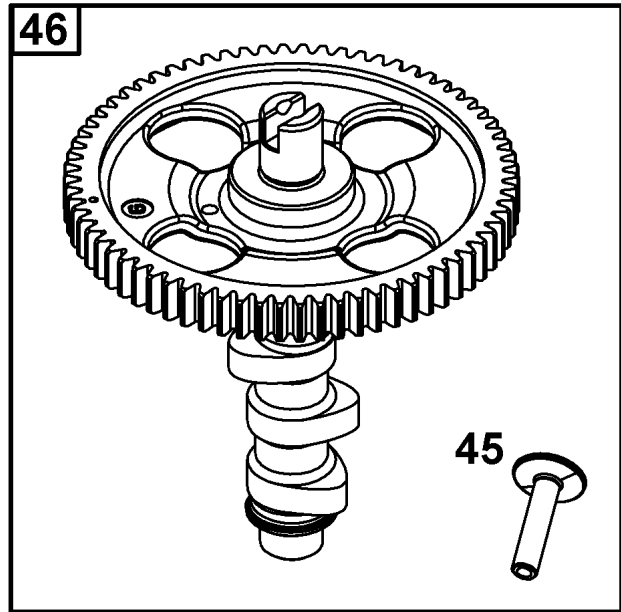
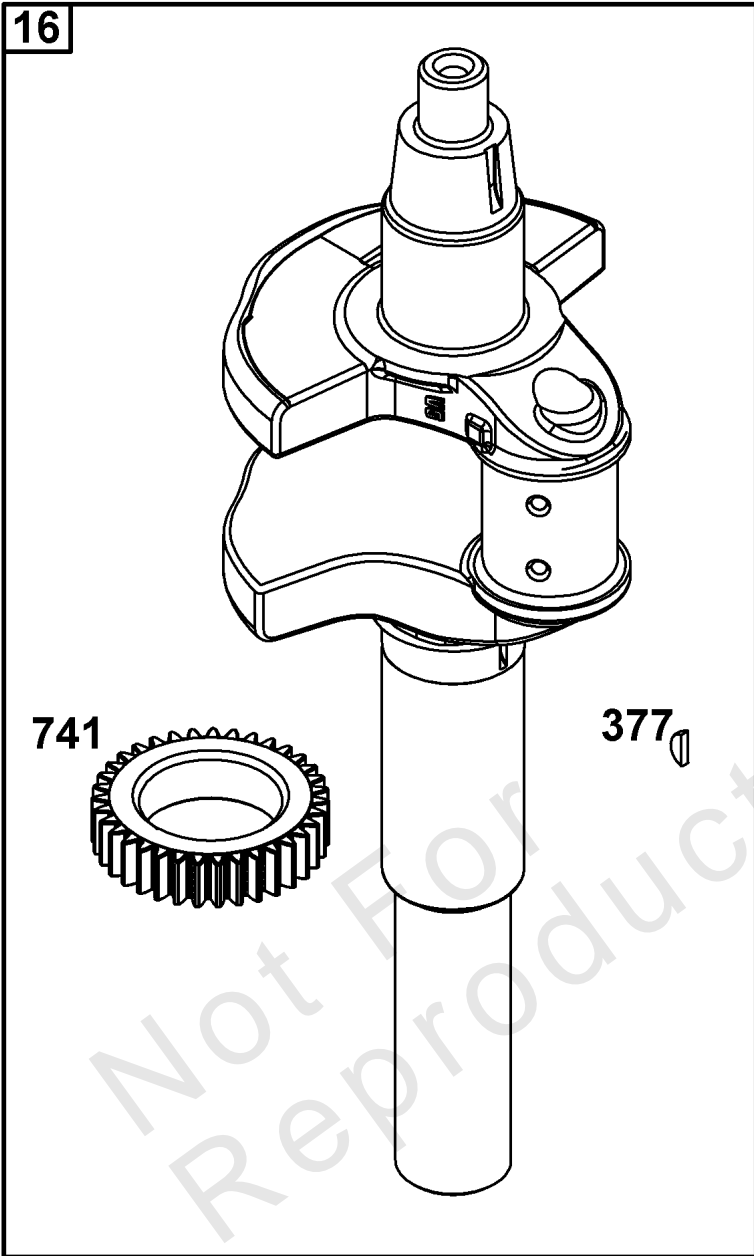
Controls Group

REF NO	PART NO	QTY	DESCRIPTION
98	843550	1	KIT, Idle Speed
188	807084	3	SCREW -(Control Bracket)
202	842533	1	LINK, Mechanical Governor
209	841500	1	SPRING, Governor
211	809875	1	SPRING, Governed Idle
222	842615	1	BRACKET, Control
227	842534	1	LEVER, Governor Control
232	843248	1	SPRING/LINK, Governor
265	691024	2	CLAMP, Casing
267	841552	2	SCREW -(Casing Clamp)
278	842122	1	WASHER -(Governor Control Lever)
505	690238	1	NUT -(Governor Control Lever)
562	843344	1	BOLT -(Governor Control Lever)
789	847060	1	HARNESS, Wiring
1054	280275	3	TIE, Cable



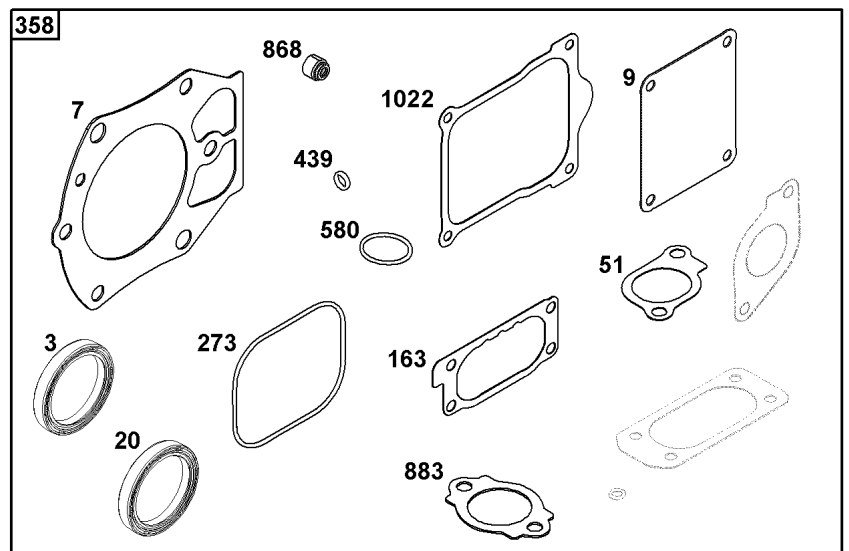
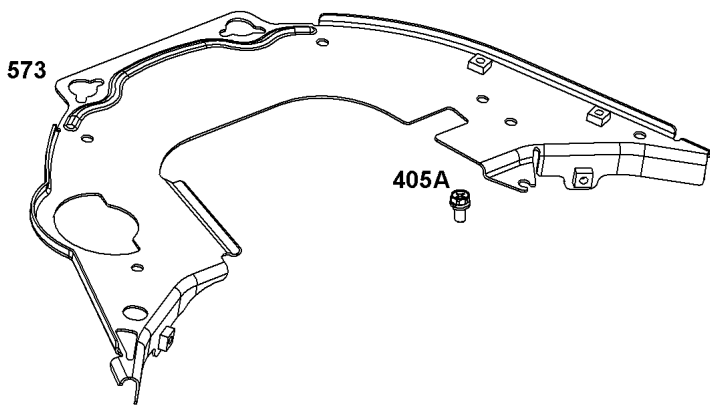
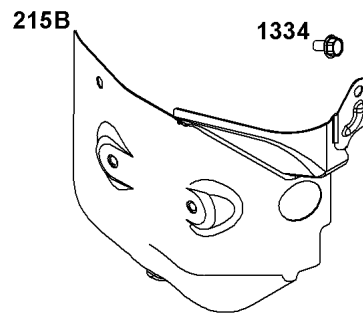
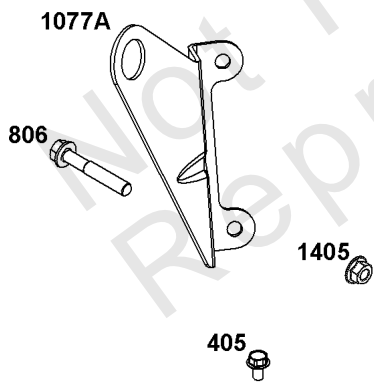
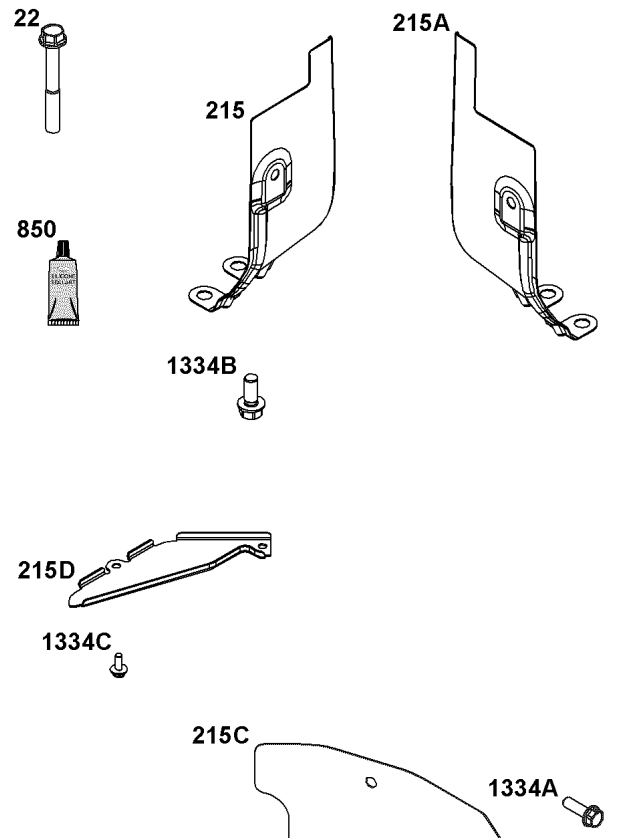
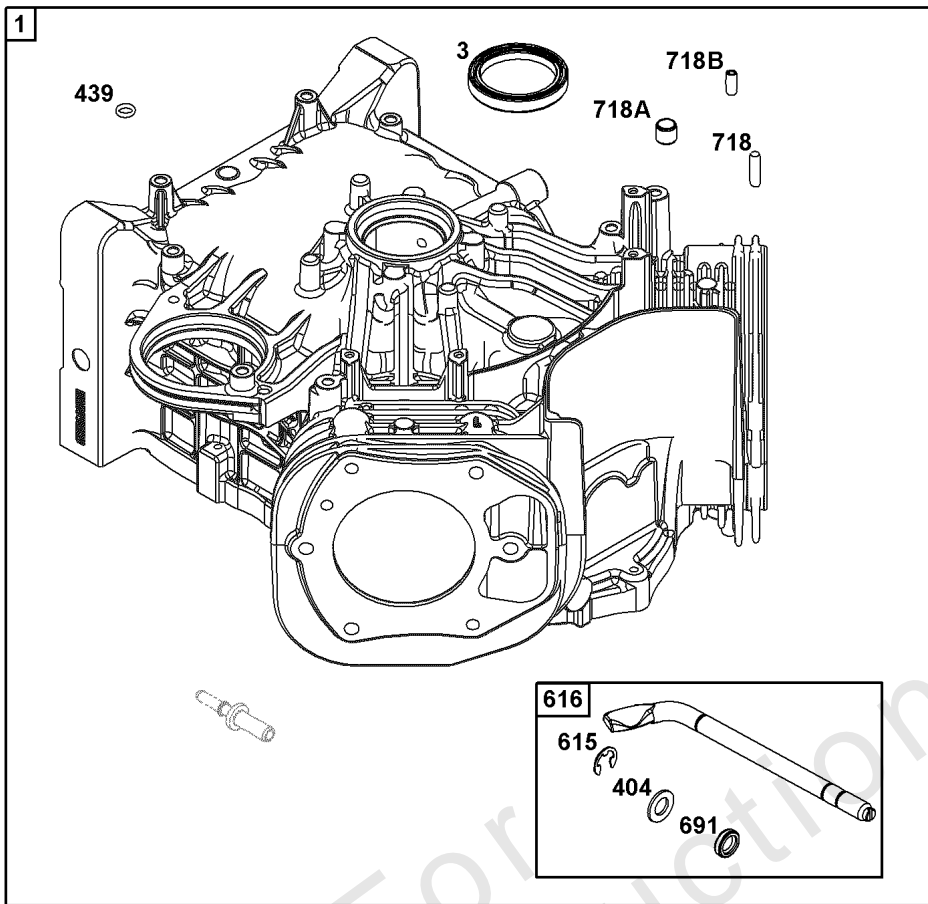
Crankcase Cover/Sump Group

REF NO	PART NO	QTY	DESCRIPTION
3	-----	1	SEAL, Oil -(Part information located in Cylinder Group.)
7	-----	2	GASKET, Cylinder Head -(Part information located in Cylinder Head Group.)
9	-----	1	GASKET, Breather -(Part information located in Cylinder Head Group.)
15	807392	2	PLUG, Oil Drain
18	848358	1	SUMP, ENGINE
20	841596	1	SEAL, Oil -(PTO Side)
22	690676	11	SCREW -(Crankcase Cover/Sump)
51	-----	2	GASKET, Intake -(Part information located in Cylinder Head Group.)
163	-----	1	GASKET, Air Cleaner -(Part information located in Air Cleaner Group.)
219	809426	1	GEAR, Governor
220	841608	1	WASHER -(Governor Gear)
221	841026	1	CUP, Governor
239	-----	1	SWITCH, Oil Pressure
273	-----	1	SEAL, O-Ring -(Part information located in Lubrication Group.)
358	-----	1	GASKET SET, Engine -(Part information located in Cylinder Group.)
439	-----	2	O-RING, Oil Gallery -(Part information located in Cylinder Group.)
523	-----	1	DIPSTICK -(Part information located in Lubrication Group.)
580	-----	1	SEAL, O-Ring -(Part information located in Cylinder Head Group.)
596	-----	3	SCREW -(Part information located in Lubrication Group.)
615A	698290	1	RETAINER, Governor Shaft
750	-----	4	SCREW -(Part information located in Lubrication Group.)
850	100106		SEALANT, Liquid
868	-----	2	SEAL, Valve -(Part information located in Cylinder Head Group.)
883	-----	2	GASKET, Exhaust -(Part information located in Cylinder Head Group.)
965	-----	1	COVER, Oil Pump -(Part information located in Lubrication Group.)
1017	-----	1	SCREEN, Oil Pump -(Part information located in Lubrication Group.)
1022	-----	2	GASKET, Rocker Cover -(Part information located in Cylinder Head Group.)
1024	-----	1	PUMP, Oil -(Part information located in Lubrication Group.)



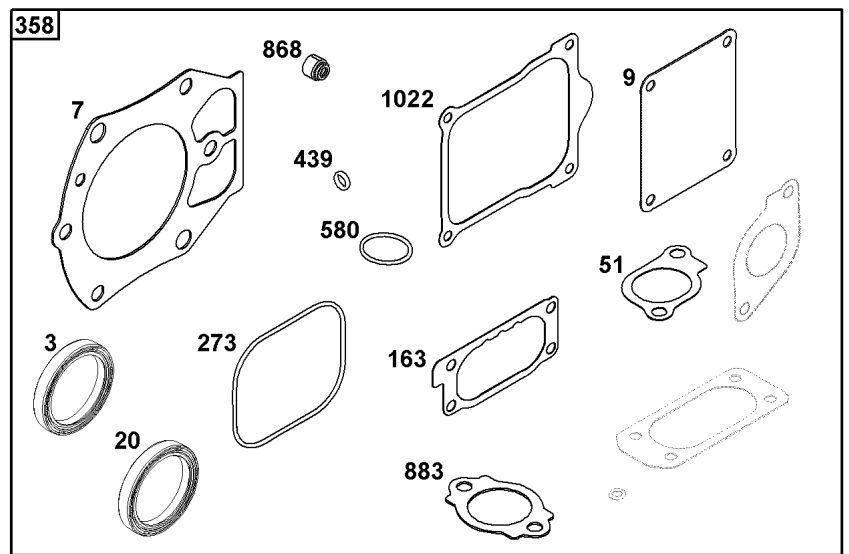
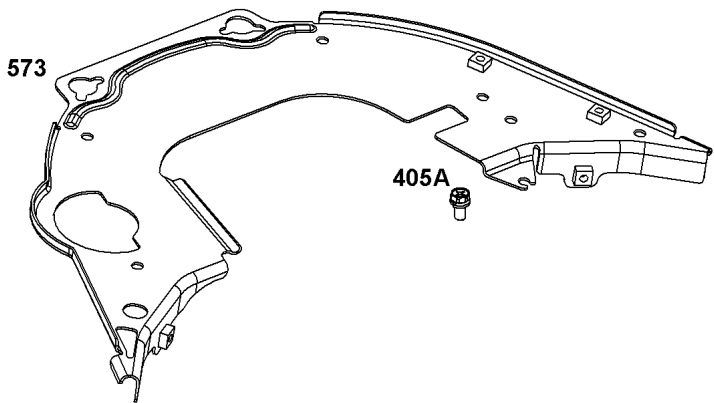
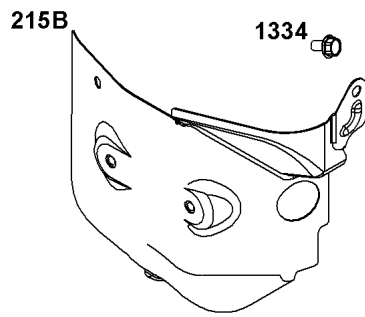
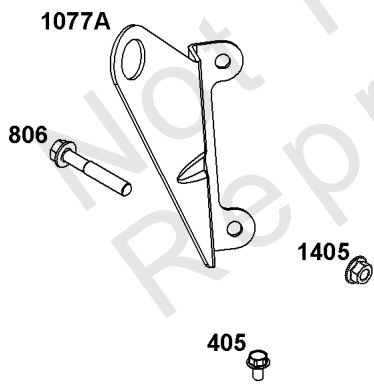
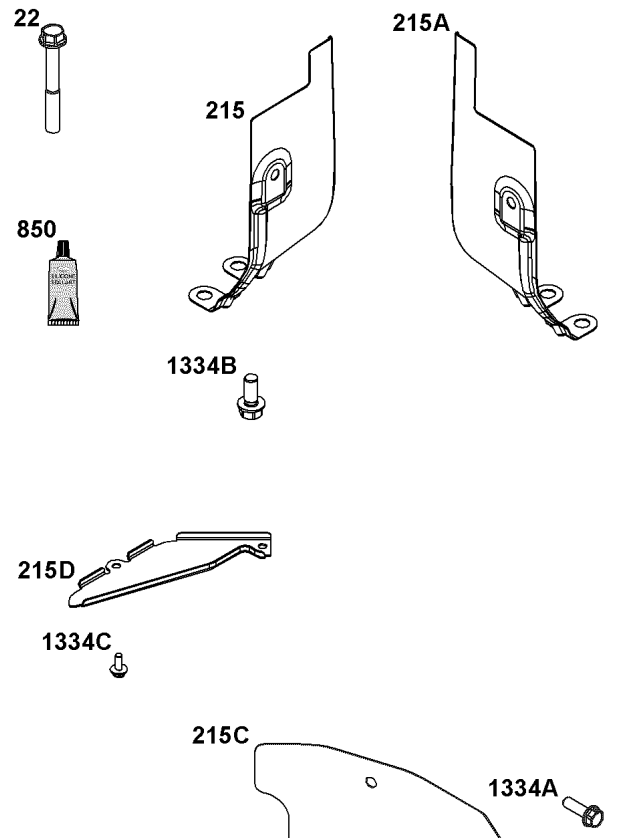
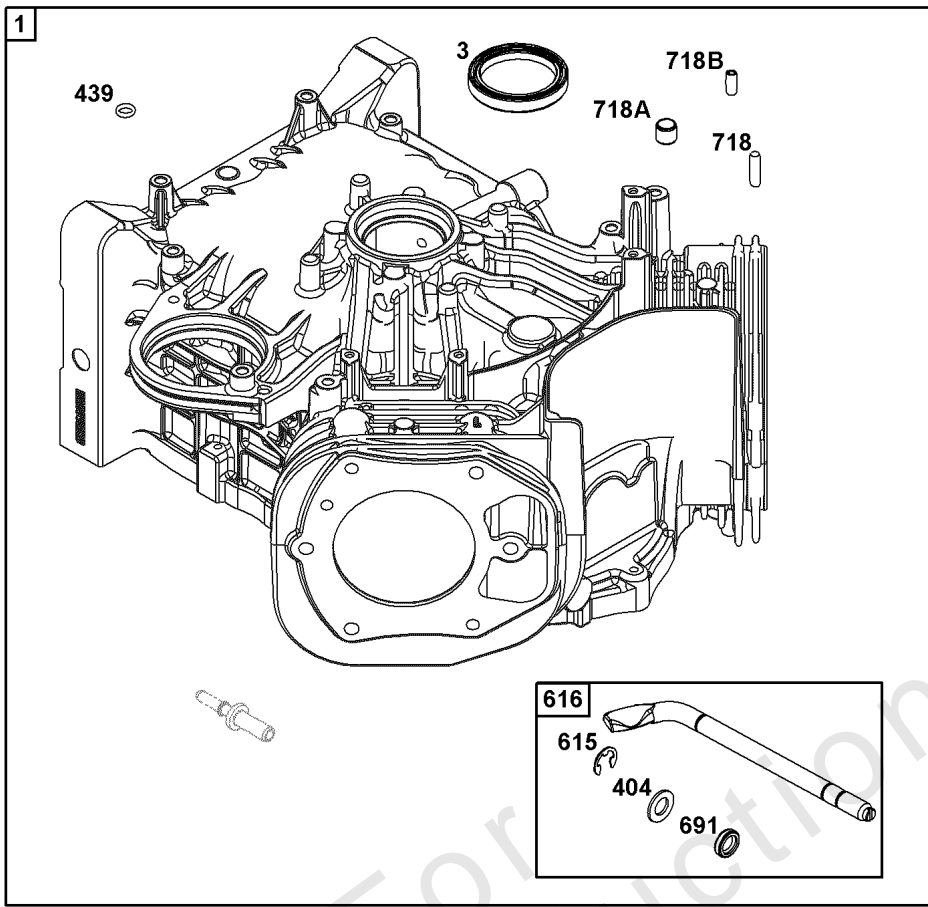
Crankshaft Group

REF NO	PART NO	QTY	DESCRIPTION
16	848306	1	CRANKSHAFT
24	796335	1	KEY, Flywheel
25	841837	2	PISTON ASSEMBLY
25	842939	1	PISTON ASSEMBLY - (.020" Oversize)
26	809972	2	SET, Ring
26	841932	1	SET, Ring - (.020" Oversize)
27	807351	4	LOCK, Piston Pin
28	807361	2	PIN, Piston
29	841838	2	ROD, Connecting
32	807363	4	SCREW -(Connecting Rod)
45	-----	4	TAPPET, Valve -(Part information located in Cylinder Head Group.)
46	847381	1	CAMSHAFT
377	691639	1	KEY, Timing
741	809432	1	GEAR, Timing



Cylinder Group

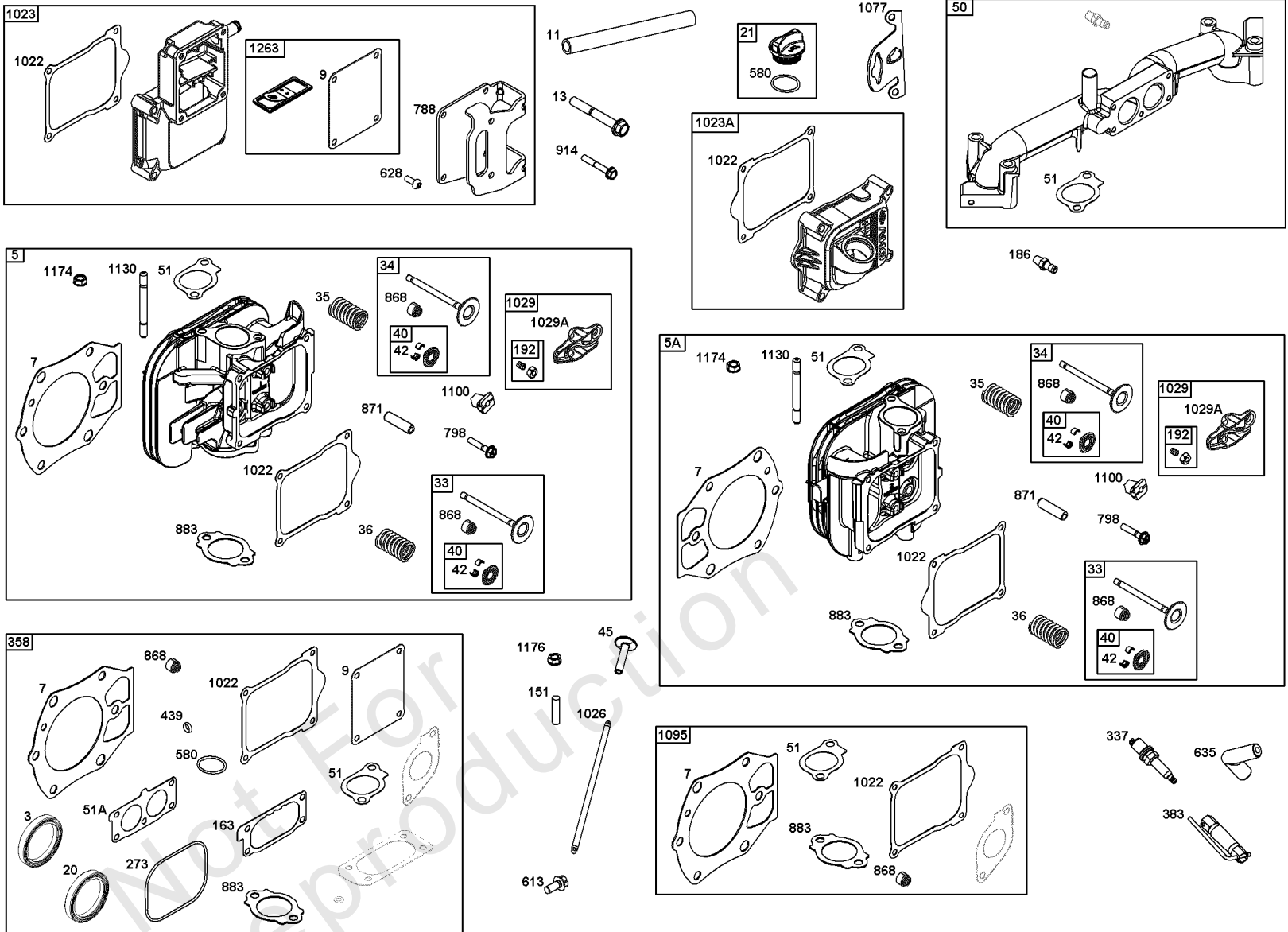
REF NO	PART NO	QTY	DESCRIPTION
1	848372	1	CYLINDER ASSEMBLY
3	841596	1	SEAL, Oil -(Magneto Side)
7	-----	2	GASKET, Cylinder Head -(Part information located in Cylinder Head Group.)
9	-----	1	GASKET, Breather -(Part information located in Cylinder Head Group.)
20	-----	1	SEAL, Oil -(Part information located in Crankcase Cover/Sump Group.)
22	-----	11	SCREW -(Part information located in Crankcase Cover/Sump Group.)
51	-----	2	GASKET, Intake -(Part information located in Cylinder Head Group.)
163	-----	1	GASKET, Air Cleaner -(Part information located in Air Cleaner Group.)
215	809728	1	GUIDE, Air
215A	809737	1	GUIDE, Air
215B	809738	1	GUIDE, Air
215C	809897	1	GUIDE, Air
215D	809739	1	GUIDE, Air
273	-----	1	SEAL, O-Ring -(Part information located in Lubrication Group.)
358	846498	1	GASKET SET, Engine -(Service Kits may include extra parts not specific to this engine.)
404	809436	1	WASHER -(Governor Crank)
405	841233	3	SCREW -(Back Plate)
405A	841735	1	SCREW -(Back Plate)
439	692154	2	O-RING, Oil Gallery -(Crankcase Cover/Sump or Cylinder Assembly)
573	846840	1	PLATE, Back
580	-----	1	SEAL, O-Ring -(Part information located in Cylinder Head Group.)
615	809533	3	RETAINER, Governor Shaft
616	844180	1	CRANK, Governor
691	809287	1	SEAL, Governor Shaft
718	690959	2	PIN, Locating
718A	809508	4	PIN, Locating
718B	845925	1	PIN, Locating
806	807362	2	SCREW -(Lifting Bracket)
850	-----		SEALANT, Liquid -(Part information located in Crankcase Cover/Sump Group.)
868	-----	2	SEAL, Valve -(Part information located in Cylinder Head Group.)
883	-----	2	GASKET, Exhaust -(Part information located in Cylinder Head Group.)
1022	-----	2	GASKET, Rocker Cover -(Part information located in Cylinder Head Group.)
1077A	842616	1	BRACKET, Lifting
1334	841233	4	SCREW -(Air Guide)
1334A	807435	2	SCREW -(Air Guide)
1334B	692062	4	SCREW -(Air Guide)



Cylinder Group

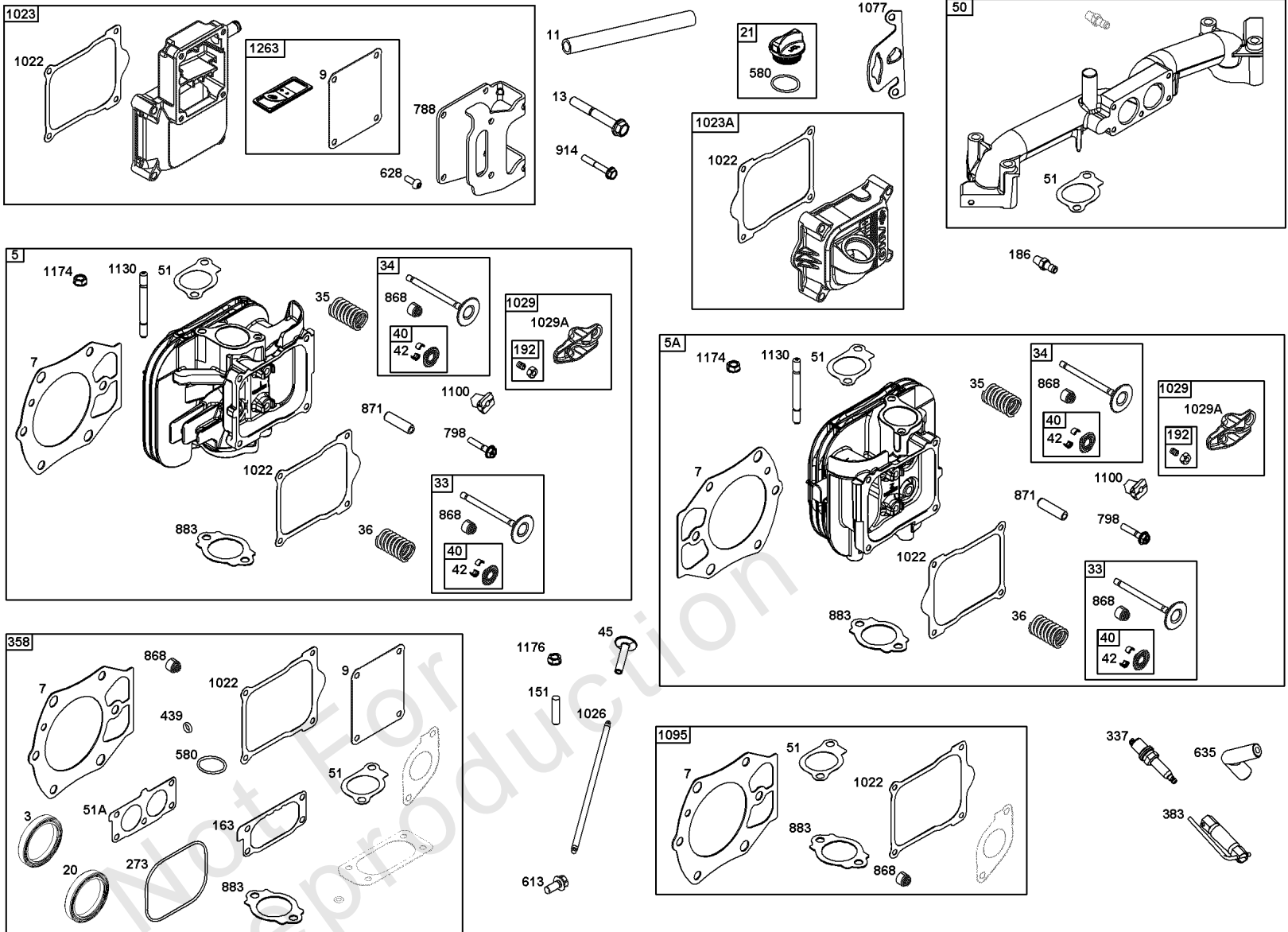
REF NO	PART NO	QTY	DESCRIPTION
1334C	690677	2	SCREW -(Air Guide)
1405	690941	2	NUT -(Lifting Bracket)

Not For Reproduction



Cylinder Head Group

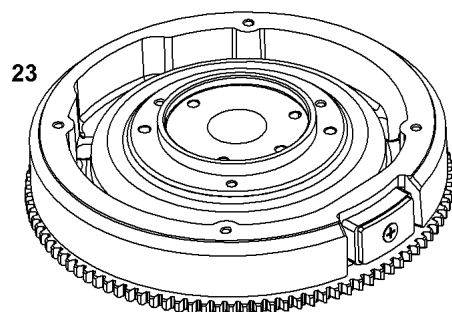
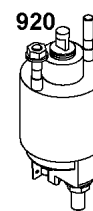
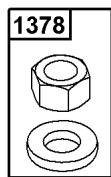
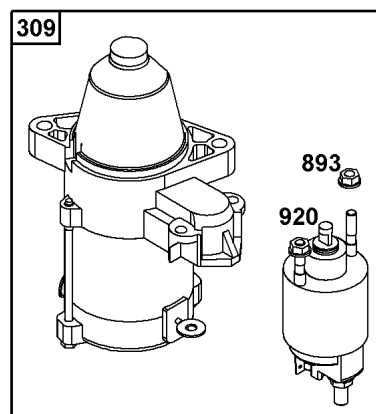
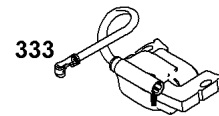
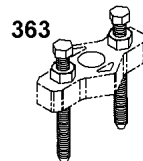
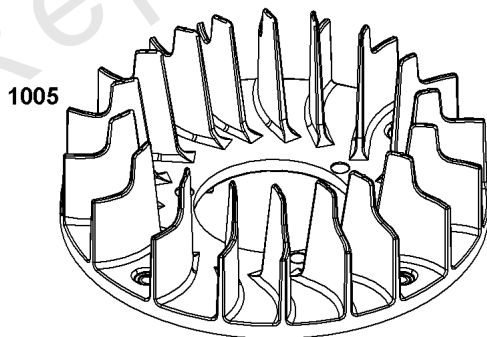
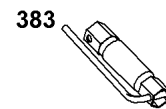
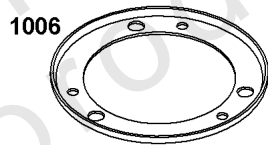
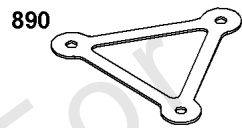
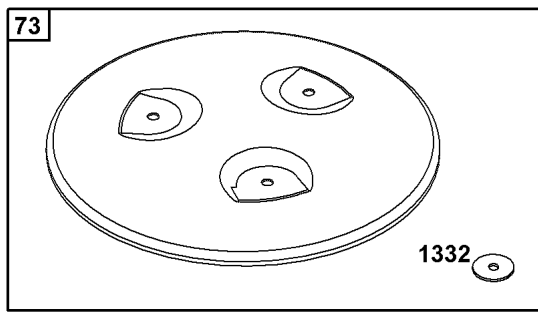
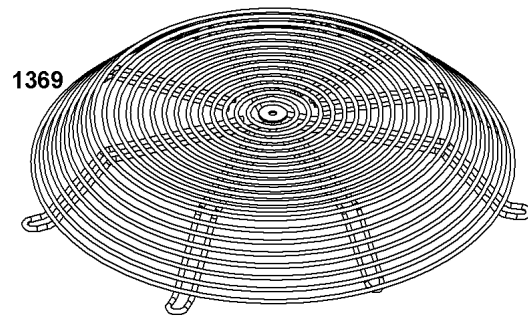
REF NO	PART NO	QTY	DESCRIPTION
3	-----	1	SEAL, Oil -(Part information located in Cylinder Group.)
5	84006467	1	HEAD, CYLINDER
5A	84006468	1	HEAD, CYLINDER
7	809730	2	GASKET, Cylinder Head
9	842545	1	GASKET, Breather
11	-----	1	TUBE, Breather -(Part information located in Air Cleaner Group.)
13	809784	12	SCREW -(Cylinder Head)
20	-----	1	SEAL, Oil -(Part information located in Crankcase Cover/Sump Group.)
21	809324	1	CAP, Oil Fill
33	844787	2	VALVE, Exhaust
34	843730	2	VALVE, Intake
35	845589	2	SPRING, Valve -(Intake)
36	845589	2	SPRING, Valve -(Exhaust)
40	844788	4	RETAINER, Valve
42	807683	8	KEEPER, Valve
45	809785	4	TAPPET, Valve
50	844341	1	MANIFOLD, Intake
51	847671	2	GASKET, Intake
51A	841882	2	GASKET, Intake
151	841185	4	STUD -(Exhaust Manifold)
163	-----	1	GASKET, Air Cleaner -(Part information located in Air Cleaner Group.)
186	844568	1	CONNECTOR, Hose
192	84005276	2	ADJUSTER, Rocker Arm
273	-----	1	SEAL, O-Ring -(Part information located in Lubrication Group.)
337	792015	2	PLUG, Spark
358	-----	1	GASKET SET, Engine -(Part information located in Cylinder Group.)
383	19576S	1	WRENCH, Spark Plug
439	-----	2	O-RING, Oil Gallery -(Part information located in Cylinder Group.)
580	809894	1	SEAL, O-Ring -(Oil Fill Cap)
613	692062	2	SCREW -(Muffler)
628	842547	4	SCREW -(Fuel Pump Bracket)
635	692076	2	BOOT, Spark Plug
788	-----	1	BRACKET, Fuel Pump -(Part information located in Carburetor and Fuel Supply Group.)
798	691492	4	SCREW -(Rocker Arm)
868	691963	4	SEAL, Valve
871	692057	4	BUSHING, Valve Guide
883	809872	2	GASKET, Exhaust
914	807357	8	SCREW -(Rocker Cover)
1022	809732	2	GASKET, Rocker Cover



Cylinder Head Group

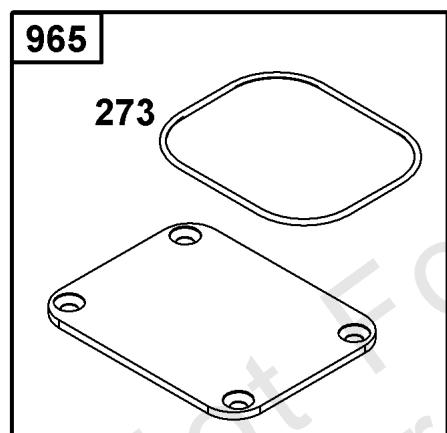
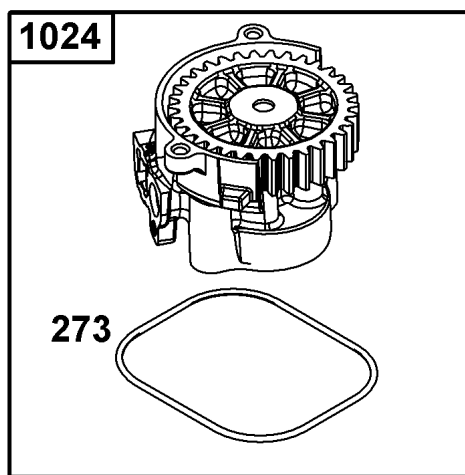
REF NO	PART NO	QTY	DESCRIPTION
1023	844529	1	COVER, Rocker
1023A	842540	1	COVER, Rocker
1026	809783	4	ROD, Push
1029	690972	4	ARM, Rocker
1029A	807323	1	ARM, Rocker
1077	809729	1	BRACKET, Lifting
1095	846672		GASKET SET, Valve -(Service Kits may include extra parts not specific to this engine.)
1100	791959	4	PIVOT, Rocker Arm
1130	841590	4	STUD -(Intake Manifold)
1174	842067	4	NUT -(Intake Manifold)
1176	842067	4	NUT -(Exhaust Manifold)
1263	842544	1	REED, Breather

Not For Reproduction

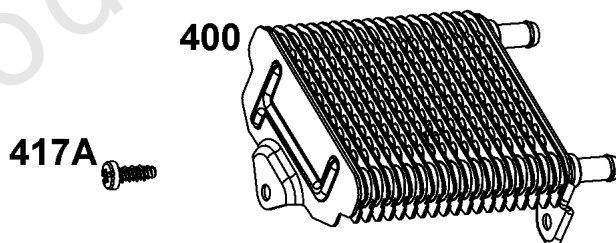
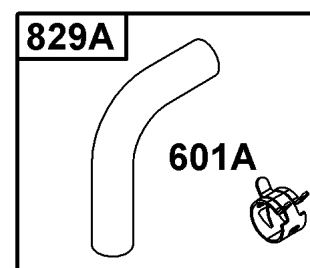
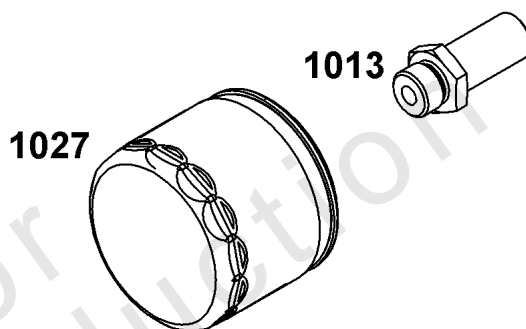
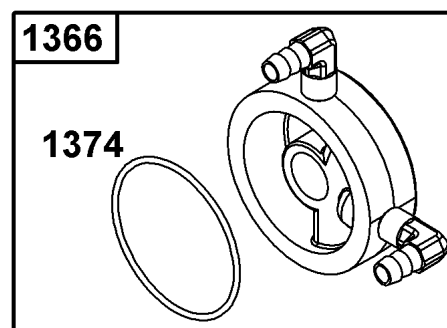
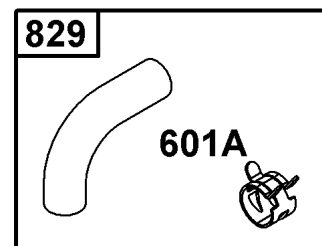
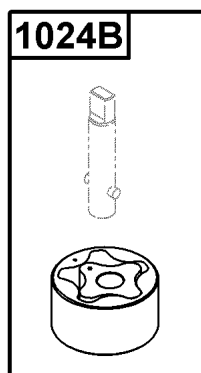
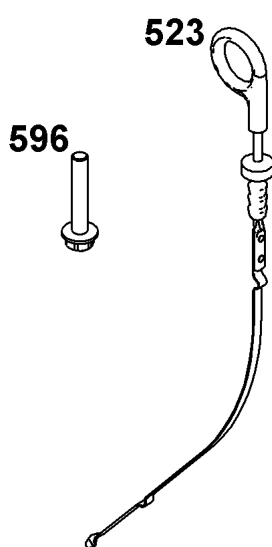


Flywheel, Ignition, and Starter Group

REF NO	PART NO	QTY	DESCRIPTION
23	844385	1	FLYWHEEL
73	841840	1	SCREEN, Rotating
74	809947	3	SCREW -(Rotating Screen)
309	845761	1	MOTOR, Starter
333	845126	2	ARMATURE, Magneto
334	692066	4	SCREW -(Magneto Armature)
337	-----	2	PLUG, Spark -(Part information located in Cylinder Head Group.)
363	19203	1	PULLER, Flywheel
383	-----	1	WRENCH, Spark Plug -(Part information located in Cylinder Head Group.)
697	690711	2	SCREW -(Starter Motor) (Drive Cap)
890	809987	1	BRACKET, Support
893	845758	2	NUT -(Starter Solenoid)
920	846737	1	SOLENOID, Starter
1005	846996	1	FAN, Flywheel
1006	847198	1	RETAINER, Fan
1070	807435	4	SCREW -(Flywheel Fan)
1332	809948	3	WASHER -(Rotating Screen)
1369	842858	1	GUARD, Flywheel Fan
1370	841233	4	SCREW -(Flywheel Fan Guard)
1371	841537	4	NUT -(Flywheel Fan Guard)
1372	809946	3	STUD -(Rotating Screen)
1378	844795	1	SET, Washer/Nut



750



Lubrication Group

REF NO	PART NO	QTY	DESCRIPTION
239	841281	1	SWITCH, Oil Pressure
273	842538	1	SEAL, O-Ring -(Oil Pump)
400	846249	1	COOLER, Oil
417	846250	1	SCREW -(Oil Cooler)
417A	841233	2	SCREW -(Oil Cooler)
523	842542	1	DIPSTICK
596	807385	3	SCREW -(Oil Pump)
601A	845209	4	CLAMP, Hose
750	842537	4	SCREW -(Oil Pump Cover)
829	846259	1	HOSE, Oil Cooler
829A	846260	1	HOSE, Oil Cooler
965	842536	1	COVER, Oil Pump
1013	841602	1	NIPPLE, Oil Filter
1017	842535	1	SCREEN, Oil Pump
1024	846026	1	PUMP, Oil
1024B	847355	1	PUMP, Oil
1027	842921	1	FILTER, Oil
1366	841510	1	DIVERTER, Oil Cooler
1374	796863	1	SEAL, O-Ring -(Oil Cooler Diverter)

Replacement Engine - US & Canada

REF NO	PART NO	QTY	DESCRIPTION
	6137770016J1		Replacement Engine
	591322	1	Replacement Short Block
	-----		Idle Speed: 1750
	-----		Top No-Load Speed: 3600
	-----		Service Note: Transfer Muffler and/or Spark Arrester Assembly from the original engine if suitable for additional service or add new parts as required
	-----		Service Note: Transfer Oil Pressure Switch to the Replacement Engine

Not For Reproduction



Model 54-61 Engine Accessories Catalog

Not For
Reproduction

Maintenance Kits



Maintenance Kits

REF NO	PART NO	QTY	DESCRIPTION
9000	84002318		KIT, Maintenance -(Oil Guard™ Engines)
9000A	84002315		KIT, Maintenance -(Non-Oil Guard™ Engines)
9000B	84004936		KIT, Maintenance -(Non-Oil Guard™ Engines) (20 - 40 HP)
240	845125	1	FILTER, Fuel
337	491055S	2	PLUG, Spark
445	841497	1	FILTER, A/C Cartridge
445A	692519	1	FILTER, A/C Cartridge
967	692520	1	FILTER, Pre Cleaner
1027	595930	1	FILTER, Oil -(Oil Guard™)
1027A	842921	1	FILTER, Oil -(Vanguard®)
1505	100170	1	OIL-5QT VANGUARD (CASE) -(5 qt Bottle)
1505A	100169	3	OIL-1QT VANGUARD (CASE) -(1 qt Bottle)
1589	-----	1	TREATMENT, Fuel -(STA-BIL 360°® PROTECTION™)

WANGUARD[®]

COMMERCIAL POWER



BRIGGS & STRATTON[®]