

**P-REX MINI:
Pioneer Line Remover
Parts Manual**



4529 Industrial Parkway
Cleveland, OH 44135

800-877-1500
PioneerAthletics.com

WARNING

The engine exhaust from this product contains chemicals known to the state of California to cause cancer, birth defects or other reproductive harm.

NOTICE OF REQUIREMENT OF SPARK ARRESTER MUFFLER

This equipment may create sparks that can start fires around dry vegetation. California Public Resources Code Section 4442.6 provides that it is unlawful to use or operate an internal combustion engine on any forest-covered, brush-covered, or grass-covered land unless the engine is equipped with a spark arrester maintained in effective working order. A spark arrester is a device constructed of nonflammable materials specifically for the purpose of removing and retaining carbon and other flammable particles over 0.0232 of an inch in size from the exhaust flow of an internal combustion engine that uses hydrocarbon fuels or which is qualified and rated by the United States Forest Service. Other states or federal areas may have similar laws. The Operator Should Contact Local Fire Agencies For Laws or Regulations Relating to Fire Prevention Requirements. **THIS EQUIPMENT DOES NOT HAVE A SPARK ARRESTER AND YOU SHOULD CONTACT YOUR AUTHORIZED DEALER FOR THE PURCHASE OF A SPARK ARRESTER.**

Inspect spark arrester daily; replace every 500 hours or as needed.

The Engine Owner's Manual provides information regarding the U.S. Environmental Protection Agency (EPA) and the California Emission Control Regulation of emission systems, maintenance and warranty.

Keep Engine Owner's Manual with your unit. Should the Engine Owner's Manual become damaged or illegible, replace immediately. Replacements may be ordered per the information found in the Product Information section of the owner's manual.

Federal law and California State law prohibit the following acts or the causing thereof:

- 1. The removal or rendering inoperative by any person other than for purposes of maintenance, repair, replacement, of any device or element of design incorporated into any equipment for the purposes of emissions control prior to or after its sales or delivery to the ultimate purchaser or while it is in use, or**
- 2. The use of the equipment after such device or element of design has been removed or rendered inoperative by any person.**

Table of Contents

General Information	1
Using This Manual	1
Hardware Description Codes & Abbreviations	1
Standard Torques	2
FRAME.....	1
ENGINE GUARD	3
TRANSMISSIONS & DRIVE BELT	5
TRANSMISSIONS SERVICE PARTS	7
STEERING & BRAKE (PAGE 1)	9
STEERING & BRAKE (PAGE 2)	11
STEERING COVER ASSEMBLY.....	13
STEERING BOX ASSEMBLY	15
WHEELS & TIRES.....	17
FRONT WHEEL ASSEMBLY	19
DRIVE WHEEL ASSEMBLY	21
ENGINE, MUFFLER & CLUTCH (PAGE 1)	23
ENGINE, MUFFLER & CLUTCH (PAGE 2)	25
ENGINE SERVICE PARTS – FT691V	27
FUEL SYSTEM (PAGE 1).....	29
FUEL SYSTEM (PAGE 2).....	31
FUEL TANK SERVICE PARTS - 607667	33
INSTRUMENT PANEL & WIRE HARNESS	35
FENDERS & BATTERY	37
SEAT & FOOTREST (PAGE 1).....	39
SEAT & FOOTREST (PAGE 2).....	41
SEAT SERVICE PARTS - 608047	43
ROPS	45

General Information

Note: When ordering parts, you must use the part number as shown for each part, not the index number. Always give the model and serial number to your parts and service representative.

Note: Items sold in bulk such as seals and hoses are sold by the foot.

Using This Manual

This manual is part of a service package. Use of this manual will provide the information necessary to service and maintenance.

This Parts Manual provides a complete parts listing for the unit. Use this manual when ordering parts. Illustrations used were current at the time of printing, but subsequent production changes may cause your machine to vary slightly in detail. Pioneer Athletics reserves the right to redesign and change the machine as deemed necessary, without notification. If a change has been made to your machine which is not reflected in this parts manual, see your authorized dealer for current information and parts.

The Service Manual is a service guide for use by Service Technicians. It provides the necessary information needed to perform normal maintenance requirements on these units.

The Operator's Manual provides fundamental operational information and operational safety that is needed when operating the Remover/Extractor.

The component manuals are furnished by the various manufacturers to be used for the troubleshooting and servicing of their products

Hardware Description Codes & Abbreviations

The following codes are used throughout this parts manual. Refer to this list when ordering parts.

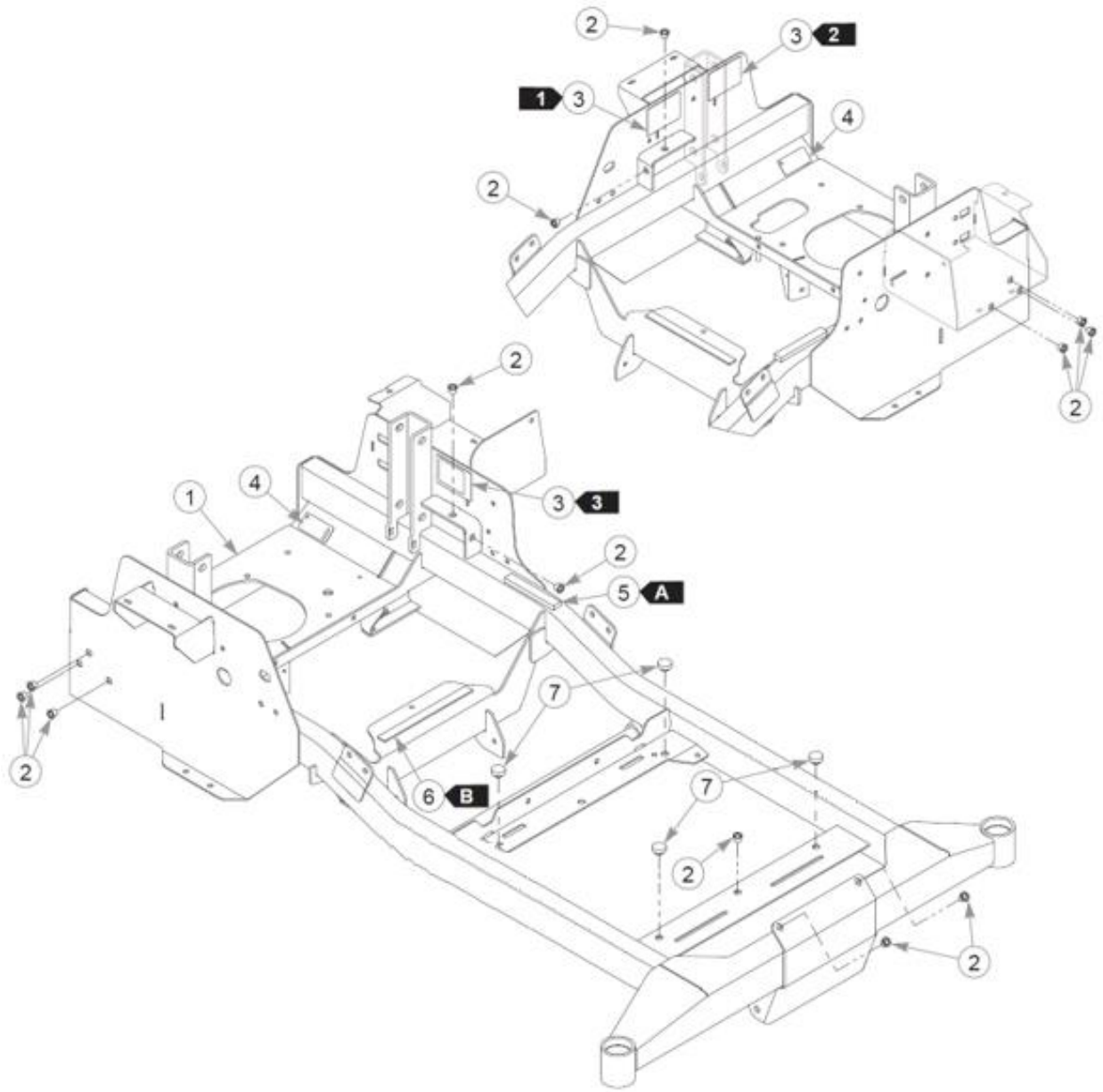
<u>ABBREVIATION</u>	<u>DESCRIPTION</u>	<u>ABBREVIATION</u>	<u>DESCRIPTION</u>
CB	CARRIAGE BOLT	MB	MACHINE BUSHING
CE	CLEVIS PIN	MS	MACHINE SCREW
CN	CLIP NUT	NT	NUT
CP	COTTER PIN	SC	SELF TAPPING CAP SCREW
CS	CAP SCREW	SH	SOCKET HEAD
CW	CUP WASHER	SB	SHOULDER BOLT
FDRW	FENDER WASHER	SS	SET SCREW
FW	FLAT WASHER	OD	OUTSIDE DIAMETER
HX	HEX HEAD	ID	INSIDE DIAMETER
LW	LOCK WASHER	WN	WELD NUT

Standard Torques

The following chart lists the standard torque values for the threaded fasteners found in this manual. Torque all cap screws, nuts and set screws to these values unless a different torque is shown in the Notes section next to the fastener.

<u>SIZE</u>	<u>FT-LBS</u>	<u>N•M</u>	<u>SIZE</u>	<u>FT-LBS</u>	<u>N•M</u>
.250	8.2	11.1	M3	1	1.3
.312	17	23	M4	2.2	3
.375	30	40	M5	4.5	6.1
.438	48	65	M6	7.7	10.4
.500	73	99	M8	18.5	25
.562	105	143	M10	37	50
.625	145	200	M12	64	87
.750	260	350	M14	80	108.5
.875	420	565	M16	160	215
1.00	625	850	M20	320	435
			M24	555	75

FRAME



FRAME, CONT.

Item	Part No.	Qty	Name
1	554673	1	SVC FRAME
2	808493	13	RIVET NUT, 3/8-16 THREA
3	N/A	3	SERIAL NUMBER / SPEC DECAL
4	602041	2	DECAL, HOT
5	713198	5"	SEAL 3/8x3/4 SOLD BY FT
6	033035	9"	WEATHERSTRIP .12X.75
7	781880	4	BUMPER, .500x 1.00x .31

NOTES:

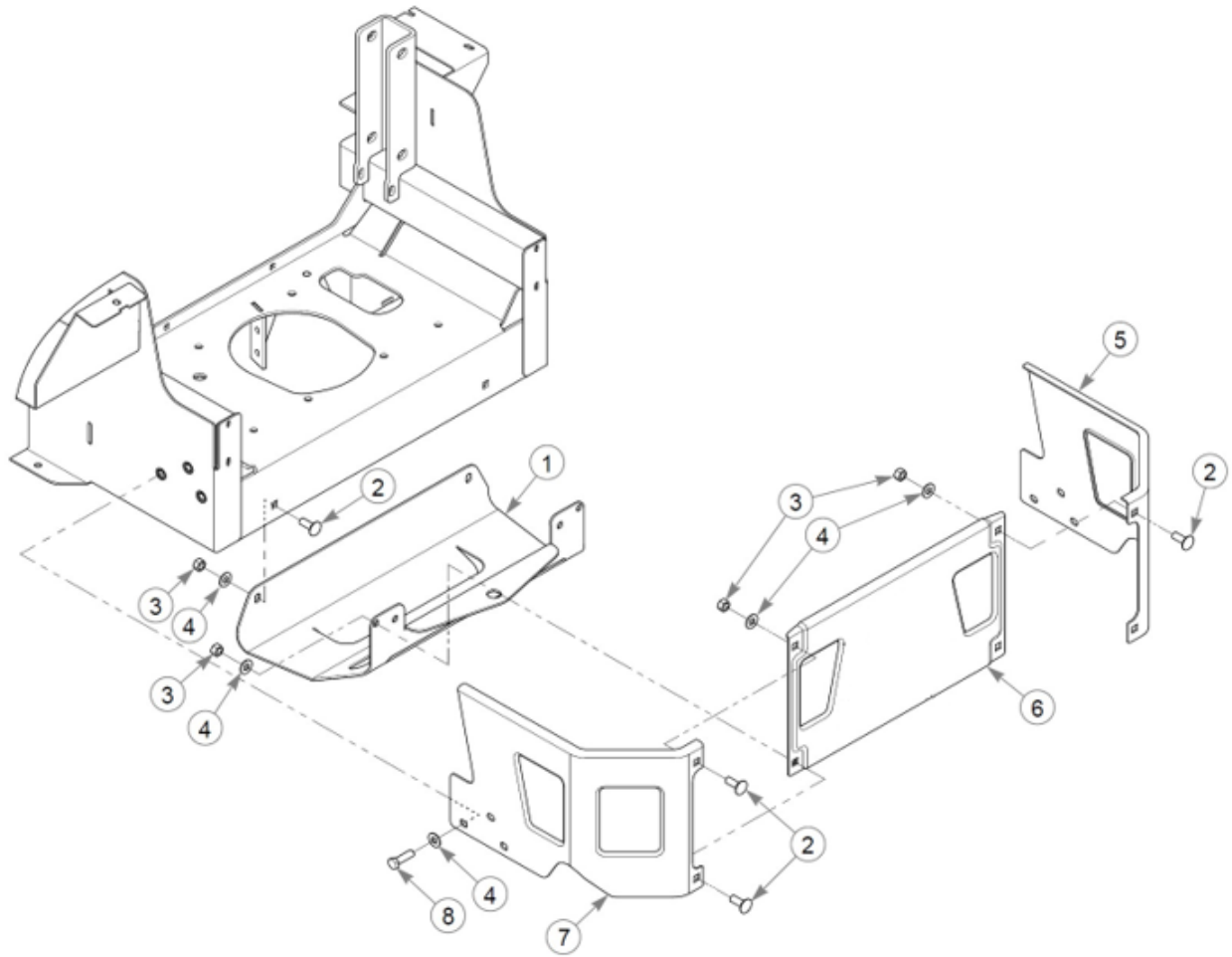
1. Serial number decal. In the event the serial number decal becomes damaged or illegible, please contact your dealer to order a replacement.
2. EPA compliance decal.
3. Patent numbers decal.
4. The frame includes the decals and hardware.

SEAL/WEATHERSTRIP LENGTHS

A: 5.0"

B: 9.0"

ENGINE GUARD

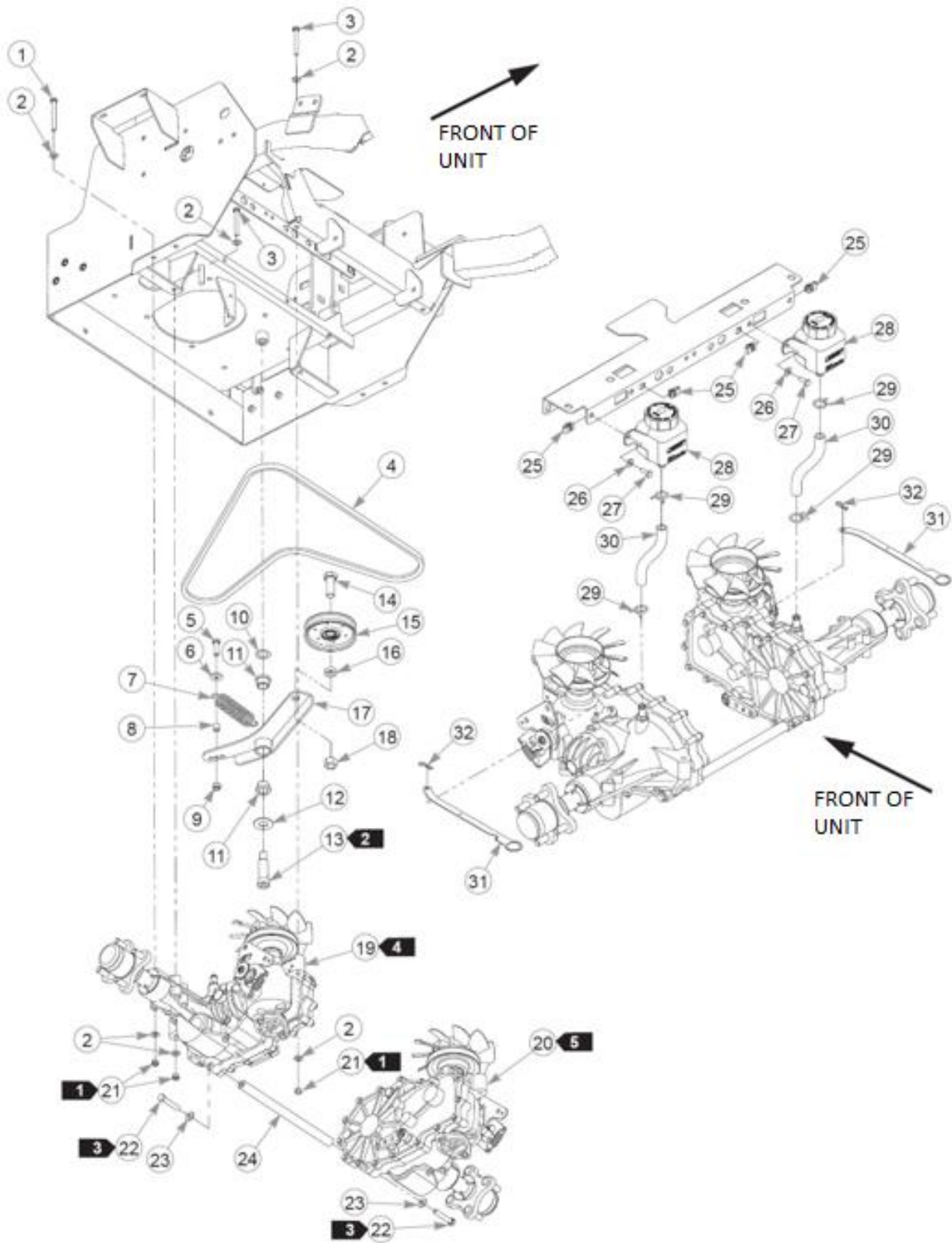


ENGINE GUARD, CONT.

Item	Part No.	Qty	Name
1	119977	1	HITCH PLATE
2	025395	6	CB .375-16X 1.00 G5 ZN
3	054502	6	NT .375-16HXG5
4	767954	12	FW 0.379X.82X.06 HD ZN
5	121134	1	GUARD, RH
6	553123	1	SVC PART, STAMPED BUMPER
7	121133	1	GUARD, LH
8	052860	6	CS .375-16X1.25 HX G5 ZN

NOTES:

TRANSMISSIONS & DRIVE BELT



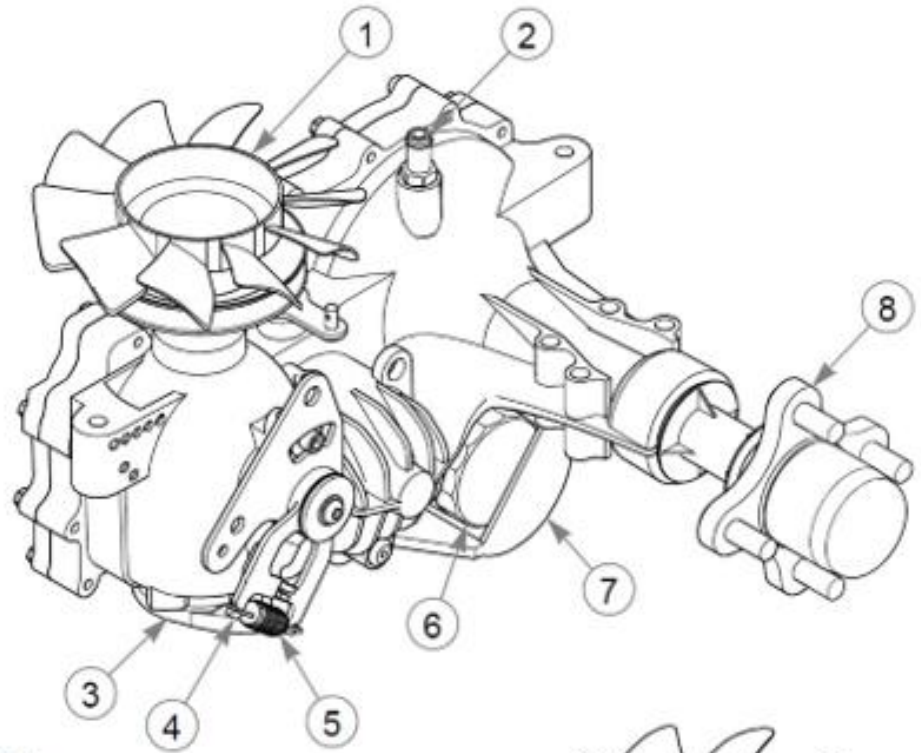
TRANSMISSIONS & DRIVE BELT, CONT.

Item	Part No.	Qty	Name
1	043067	4	CS .312-18X3.000HXG5
2	768523	16	FW 0.343SAE
3	710087	4	CS .312-18X2.500HXG5
4	605468	1	DRIVE BELT
5	052860	1	CS .375-16X1.25 HX G5 ZN
6	712919	1	FW 0.406X1.00X.12 HD ZN
7	036384	1	SPRING 1/4 COIL PL 1.23
8	605481	1	BUSHING
9	086660	1	NT .375-16NLG8
10	704791	1	FW .781X1.25X.02 ZN
11	781153	2	BUSHING, UHMW
12	025296	1	FW .760X1.63X0.08 ZN
13	601084	1	SB .750X 2.000 SH.625-11
14	025007	1	CS .62511X1.750HXG5
15	607525	1	PULLEY, IDLER
16	600296	1	SPACER, DECK IDLER
17	122722	1	KIT, TENSION ARM
18	016972	1	NT .625-11 HX G5 ZN
19	608024	1	ZT3200, 24.74:1 TRANS
20	608023	1	ZT3200, 24.74:1 TRANS
21	058776	8	NT .312-18NLG5
22	016410	2	CS .375-16X2.000HXG5
23	767954	2	FW 0.379X.82X.06 HD ZN
24	600987	1	ZT SPACER TUBE
25	601982	4	CN .250-20X .150 MAX THK
26	768515	4	FW 0.281SAE
27	055939	4	CS .250-20X0.75 HX G5 ZN
28	605217	2	RESERVOIR, SINGLE FTNG
N/A	600767	2	CAP, OVERFLOW TANK
29	601001	4	SPRING CLAMP, .75" DIA
30	605218	2	OVERFLOW HOSE, FST
31	120126	2	LINK, TOW VALVE
32	706549	2	HP0.080X1.190

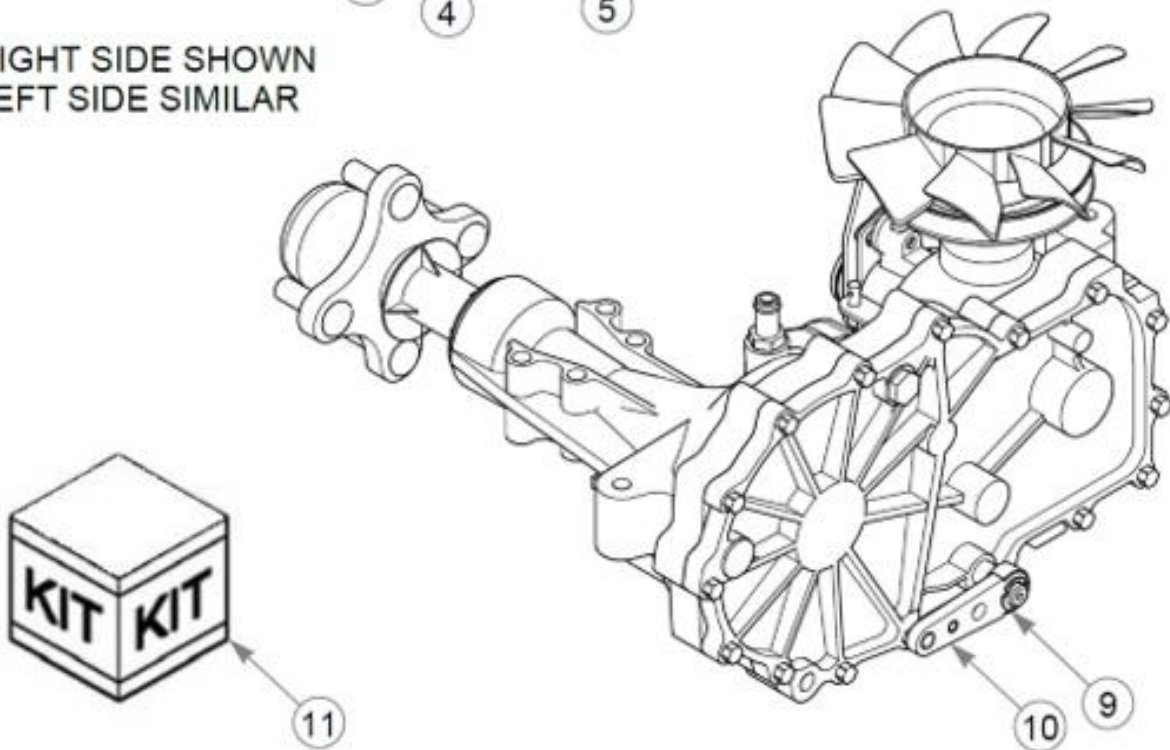
NOTES:

1. Torque to 17 ft-lbs.
2. Torque to 100 ft-lbs.
3. Torque to 30 ft-lbs.
4. Right side transmission.
5. Left side transmission.
6. The reservoir includes the cap.
7. Torque to 17 ft-lbs.
8. Torque to 100 ft-lbs.
9. Torque to 30 ft-lbs.
10. The reservoir includes the cap.

TRANSMISSIONS SERVICE PARTS



RIGHT SIDE SHOWN
LEFT SIDE SIMILAR

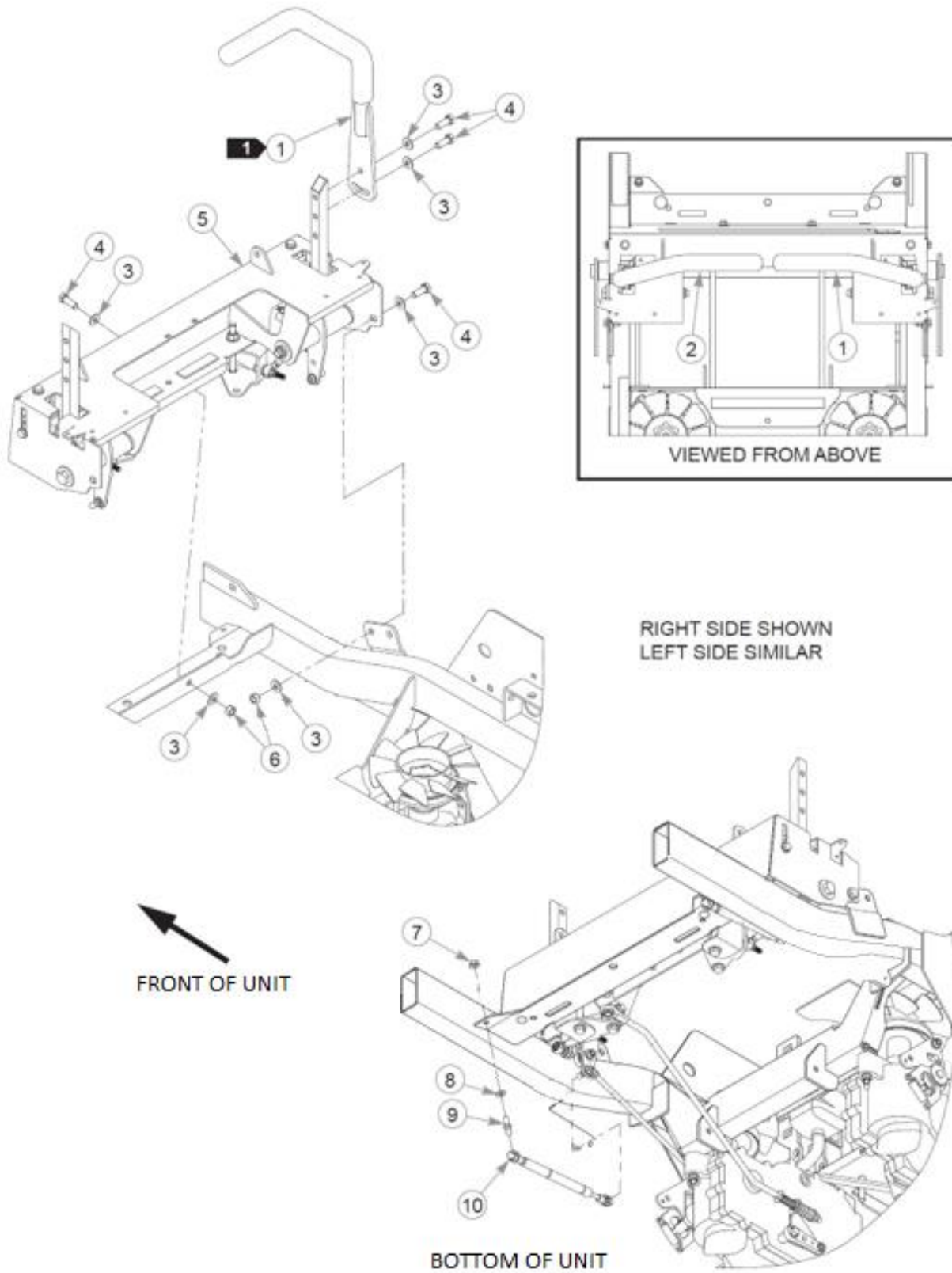


TRANSMISSIONS SERVICE PARTS, CONT.

Item	Part No.	Qty	Name
1	601941	1	FAN/PULLEY KIT
2	605608	1	FITTING, TRANSMISSION
3	603572	1	COVER, ZT3100 CHRГ PUMP
4	605778	1	RTN, LEFT
N/A	605779	1	RTN, RIGHT
5	604903	1	HG RTN SPRING
6	600976	1	HYDRAULIC OIL FILTER
7	600975	1	GUARD, TRANS FILTER LS
N/A	600974	1	GUARD, TRANS FILTER RS
8	601433	1	KIT, HUB 4 BOLT
			Lug Studs are not sold separately
N/A	788877	1	NUT, H-G ZT HUB
9	600972	1	CLIP, RETAINING
10	601221	1	ZT2800 BRAKE ARM - 2007
11	606830	1	OIL RETENSION KIT,
12	603223	1	O-RING, ZT28/3100 CHARGE

NOTES:

STEERING & BRAKE (PAGE 1)



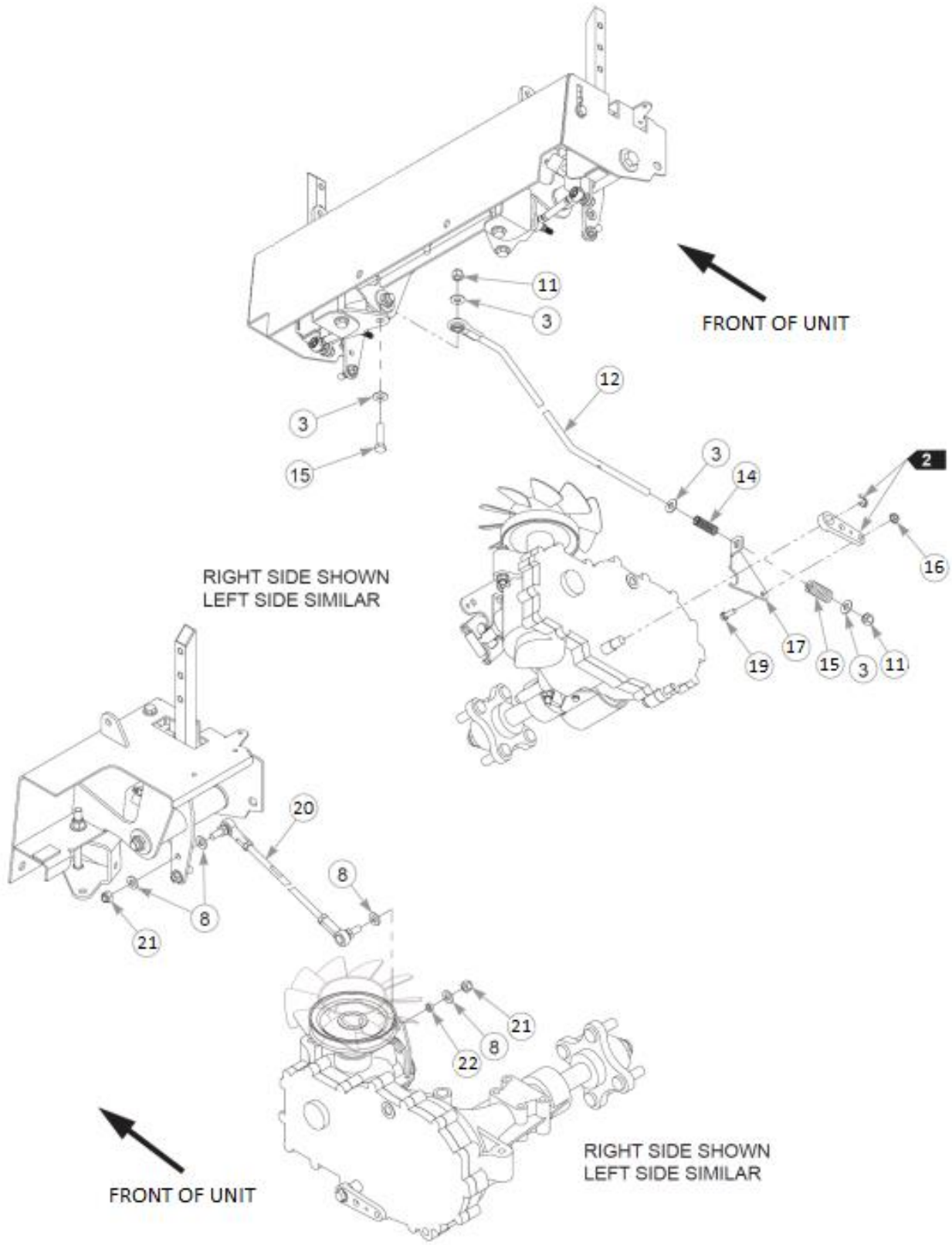
STEERING & BRAKE (PAGE 1), CONT.

Item	Part No.	Qty	Name
1	605383	1	STEERING BAR W/A, RH
N/A	781260	1	GRIP, STEERING BAR
2	605384	1	STEERING BAR W/A, LH
N/A	781260	1	GRIP, STEERING BAR
3	767954	20	FW 0.379X.82X.06 HD ZN
4	036244	8	CS .375-16X1.00 HX G5 ZN
5	N/A	1	REFER TO "STEERING ASSEMBLY BREAKDOWN"
6	054502	4	NT .375-16HXG5
7	016832	2	NT .312-18FLKG5
8	768523	10	FW 0.343SAE
9	781922	2	BALL STUD
10	603983	2	DAMPER
11	086660	4	NT .375-16NLG8
12	605145	2	BRAKE ROD ASSEMBLY
13	080655	2	CS .375-16X1.500HXG5
14	601131	2	SPRING, BRAKE ARM RET.
15	601051	2	OVERTRAVEL SPRING
16	016816	2	NT .250-20FLKG5
17	120671	1	BRAKE SPRING LINK, RS
18	120672	1	BRAKE SPRING LINK, LS
19	055939	2	CS .250-20X0.75 HX G5 ZN
20	600981	2	PUMP ROD ASSEMBLY
21	023655	4	NT 0.312-24 NL G8
22	604456	2	SPACER, PUMP ARM

NOTES:

1. The steering arms include the grips.
2. Part of the transmission.

STEERING & BRAKE (PAGE 2)



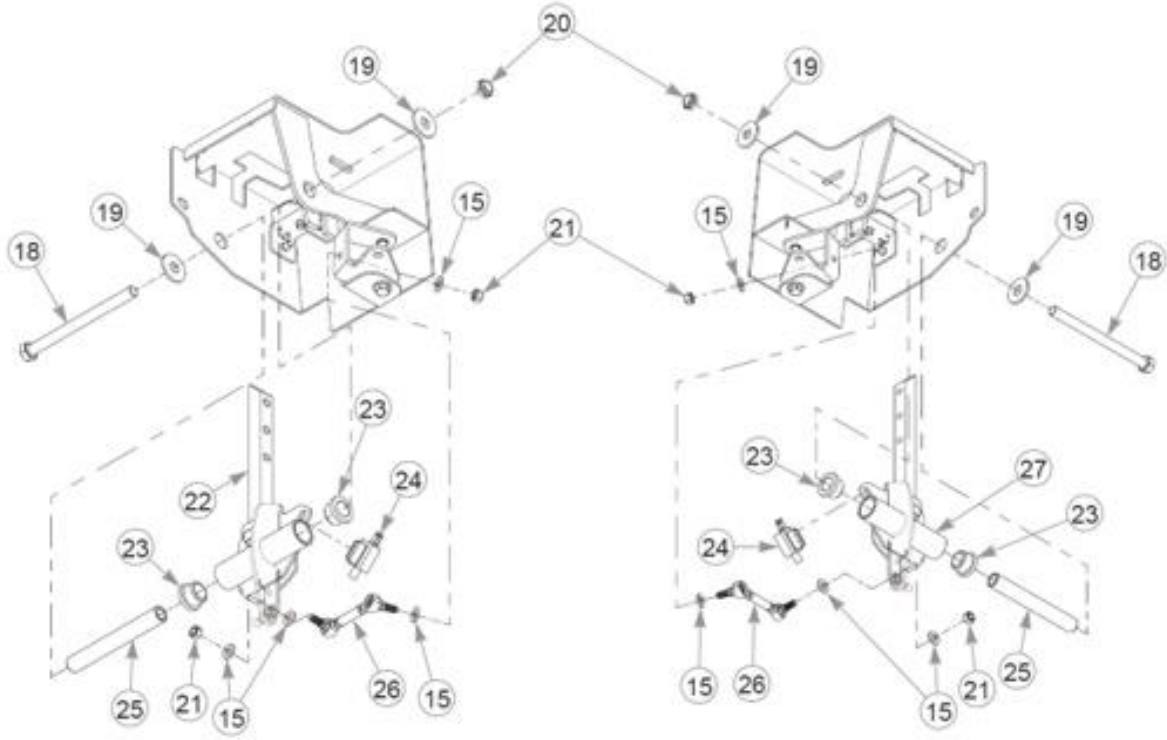
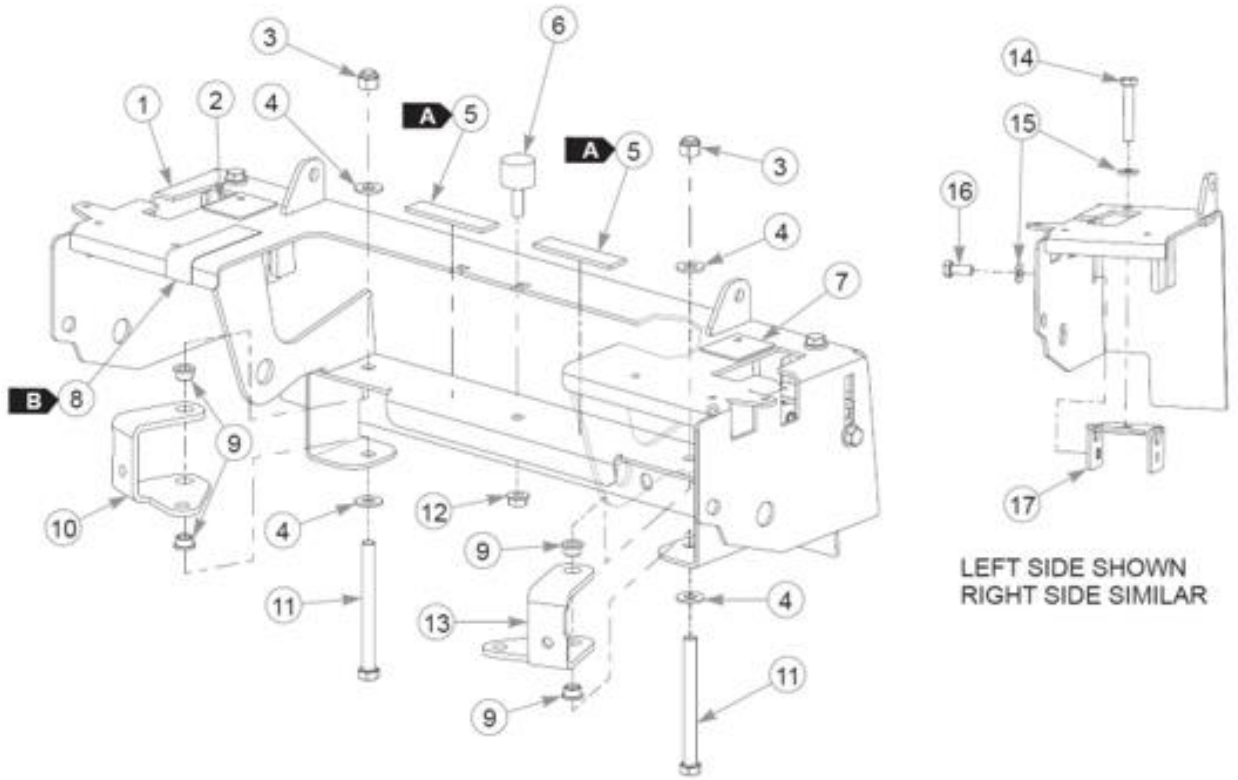
STEERING & BRAKE (PAGE 2), CONT.

Item	Part No.	Qty	Name
1	605383	1	STEERING BAR W/A, RH
N/A	781260	1	GRIP, STEERING BAR
2	605384	1	STEERING BAR W/A, LH
N/A	781260	1	GRIP, STEERING BAR
3	767954	20	FW 0.379X.82X.06 HD ZN
4	036244	8	CS .375-16X1.00 HX G5 ZN
5	N/A	1	REFER TO "STEERING ASSEMBLY BREAKDOWN"
6	054502	4	NT .375-16HXG5
7	016832	2	NT .312-18FLKG5
8	768523	10	FW 0.343SAE
9	781922	2	BALL STUD
10	603983	2	DAMPER
11	086660	4	NT .375-16NLG8
12	605145	2	BRAKE ROD ASSEMBLY
13	080655	2	CS .375-16X1.500HXG5
14	601131	2	SPRING, BRAKE ARM RET.
15	601051	2	OVERTRAVEL SPRING
16	016816	2	NT .250-20FLKG5
17	120671	1	BRAKE SPRING LINK, RS
18	120672	1	BRAKE SPRING LINK, LS
19	055939	2	CS .250-20X0.75 HX G5 ZN
20	600981	2	PUMP ROD ASSEMBLY
21	023655	4	NT 0.312-24 NL G8
22	604456	2	SPACER, PUMP ARM

NOTES:

1. The steering arms include the grips.
2. Part of the transmission.

STEERING COVER ASSEMBLY



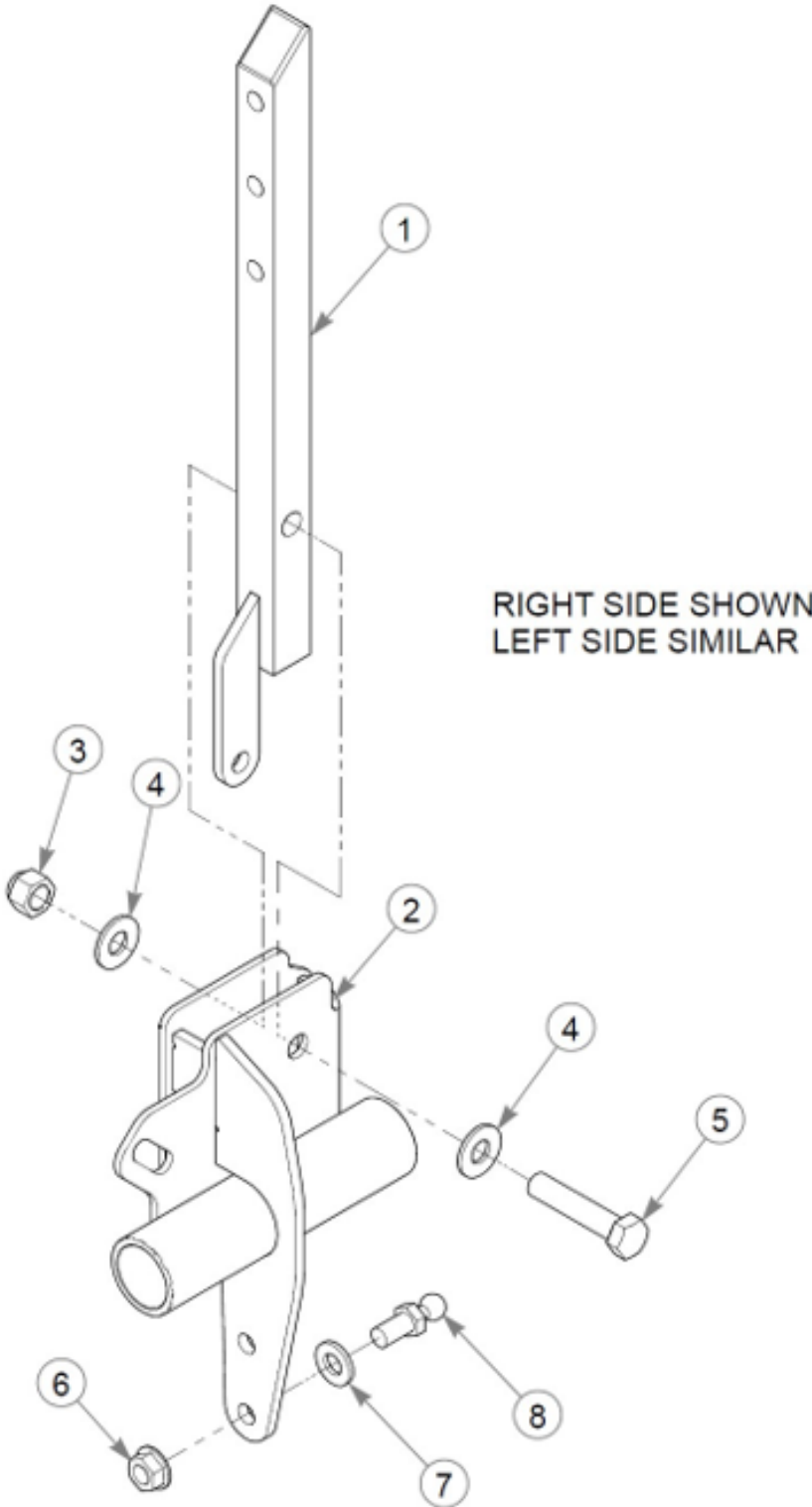
STEERING COVER ASSEMBLY, CONT.

Item	Part No.	Qty	Name
1	554684	1	SVC STEERING COVER
2	785139	1	DECAL, STEERING L.S.
3	086660	2	NT .375-16NLG8
4	767954	4	FW 0.379X.82X.06 HD ZN
5	033035	6"	WEATHERSTRIP .12X.75
6	605542	1	ISOLATOR
7	785220	1	DECAL, STEERING R.S.
8	607286	4"	PROTECTIVE TAPE
9	765339	4	BUSHING, IGUS#0608 (FS)
10	124352-1	1	BRAKE BELL CRANK, LS
11	725796	2	CS .375-16X4.000HXG5
12	016832	1	NT .312-18FLKG5
13	124353-1	1	BRAKE BELL CRANK, RS
14	064345	2	CS .312-18X2.000HXG5
15	768523	12	FW 0.343SAE
16	034280	2	CS .312-18X0.750HXG5
17	605518	2	STOP, STEERING
18	042630	2	CS .500-13X6.500HXG5
19	712976	4	FW 0.531X1.38X.12 ZN
20	707398	2	NT .500-13 JAM NY LK
21	058776	4	NT .312-18NLG5
22	119749	1	STEER PIVOT W/A, LS
N/A	607363	1	STEERING BOX S/A, LH
23	608000	4	BUSHING
24	601087	2	SWITCH, PLUNGER N.O.
25	119811	2	SPACER, STEERING
26	604179	2	BRAKE LINK
27	119750	1	STEER PIVOT W/A, RS
N/A	607362	1	STEERING BOX S/A, RH

NOTES:

1. The steering cover includes the decals.

STEERING BOX ASSEMBLY

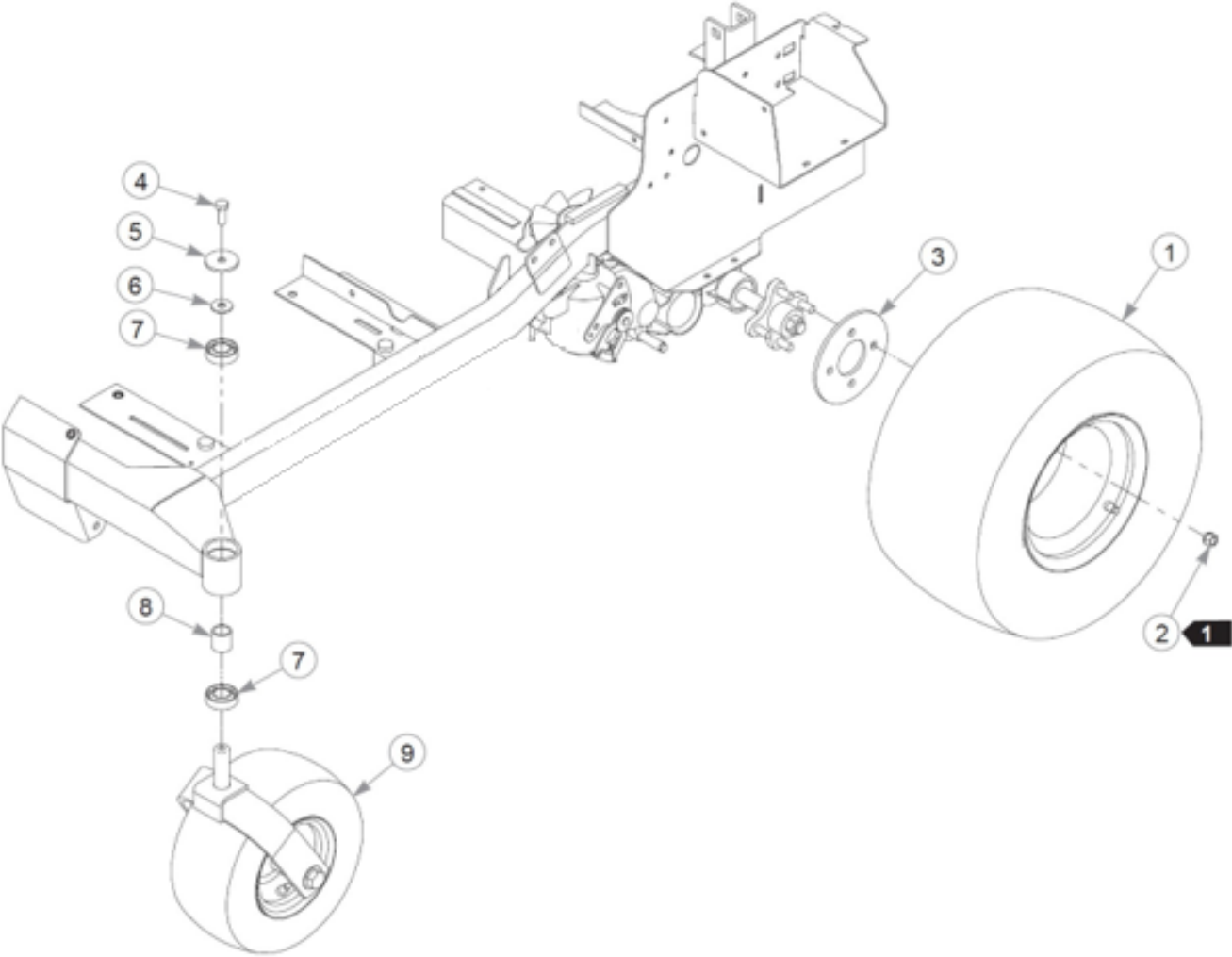


STEERING BOX ASSEMBLY, CONT.

Item	Part No.	Qty	Name
1	119807	1	STEER LEVER W/A
2	119750	1	STEER PIVOT W/A, RS
N/A	607362	1	STEERING BOX S/A, RH
N/A	119749	1	STEER PIVOT W/A, LS
N/A	607363	1	STEERING BOX S/A, LH
3	086660	1	NT .375-16NLG8
4	767954	2	FW 0.379X.82X.06 HD ZN
5	705178	1	CS .375-16X1.750HXG5
6	016832	1	NT .312-18FLKG5
7	768523	1	FW 0.343SAE
8	781922	1	BALL STUD

NOTES:

WHEELS & TIRES



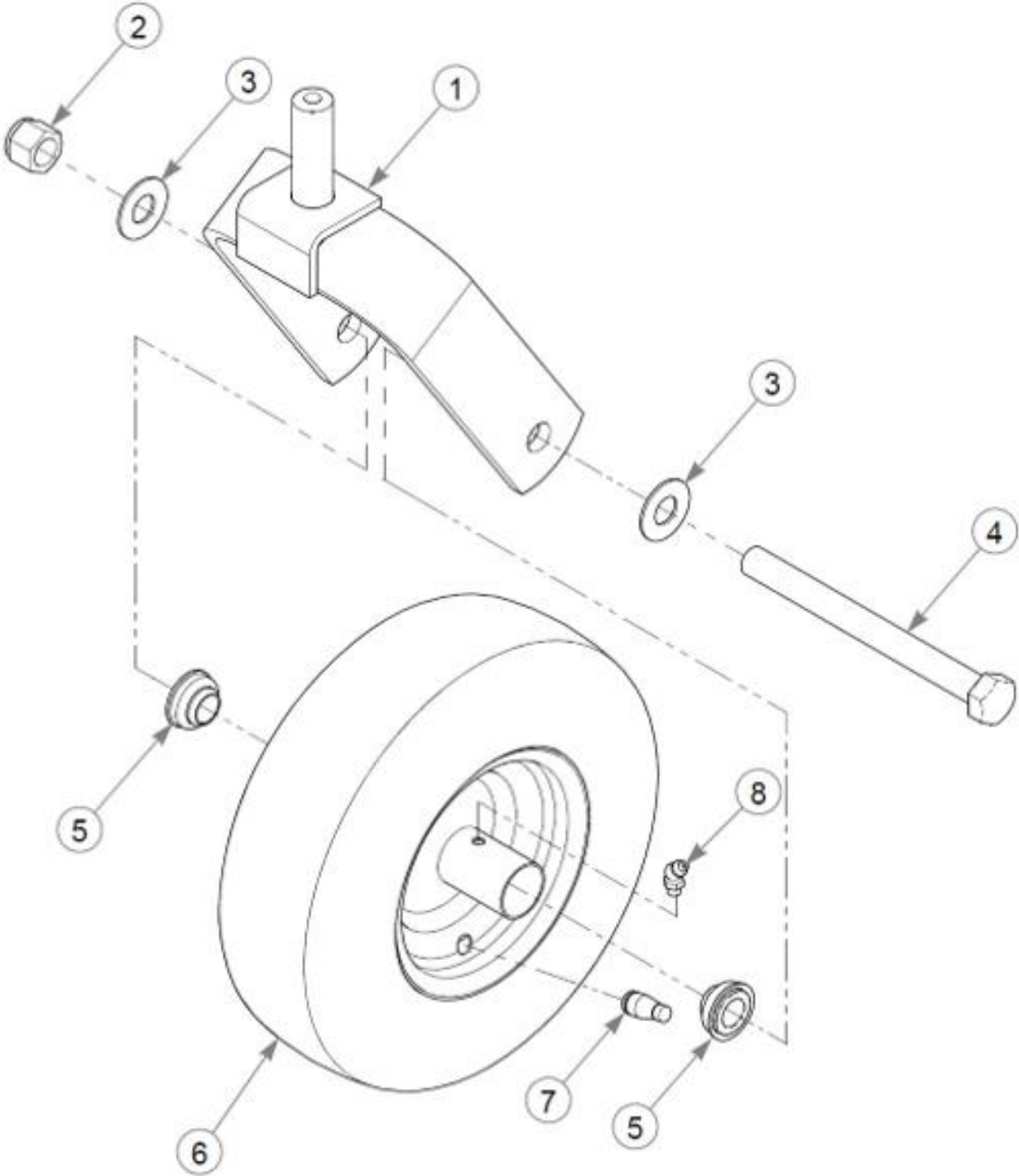
WHEELS & TIRES, CONT.

Item	Part No.	Qty	Name
1	607818	2	TIR/WHL 23X11.00-10 BLK
2	061077	8	WHEEL NUT
3	111875-1	2	BACKUP PLATE, WHEEL
4	705954	2	CS .500-13X1.25 HX G5 ZN
5	344267	2	FW .510X2.15X.19 ZN
6	712976	2	FW 0.531X1.38X.12 ZN
7	784223	4	BEARING
8	784603	2	SPACER
9	N/A	2	REFER TO "FRONT WHEEL ASSEMBLY"

NOTES:

1. Torque to 65–75 ft-lbs.

FRONT WHEEL ASSEMBLY

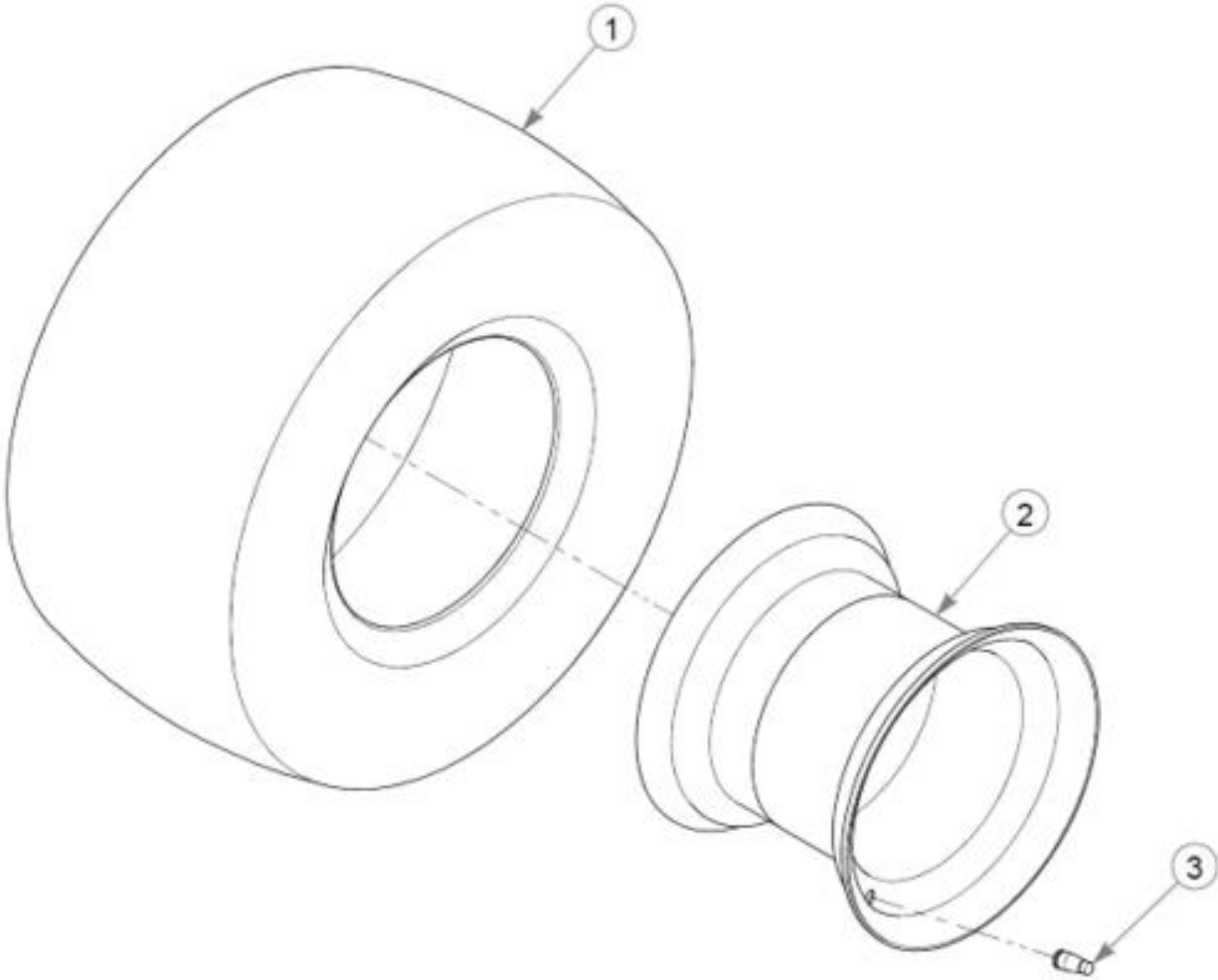


FRONT WHEEL ASSEMBLY, CONT.

Item	Part No.	Qty	Name
1	604691	1	FORK W/A
2	061101	1	NT .750-10 HX ZN NL GR B
3	025296	2	FW .760X1.63X0.08 ZN
4	041475	1	CS .750-10X9.50 HX G5 ZN
5	786103	2	WHEEL BEARING
6	605199	1	TIR/WHL 13X6.50-6 BLK
7	019521	1	TIRE VALVE TR-412 GOODY
8	606126	1	GREASE FITTING, M8X1.0

NOTES:

DRIVE WHEEL ASSEMBLY

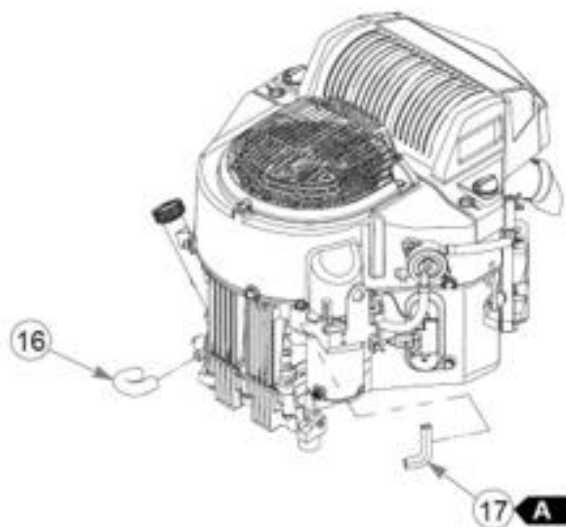
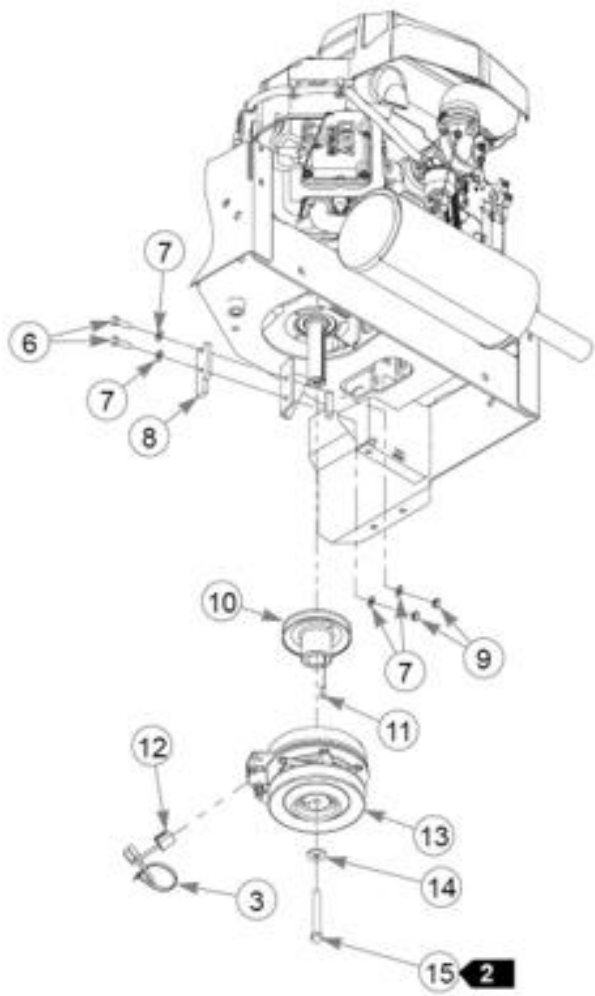
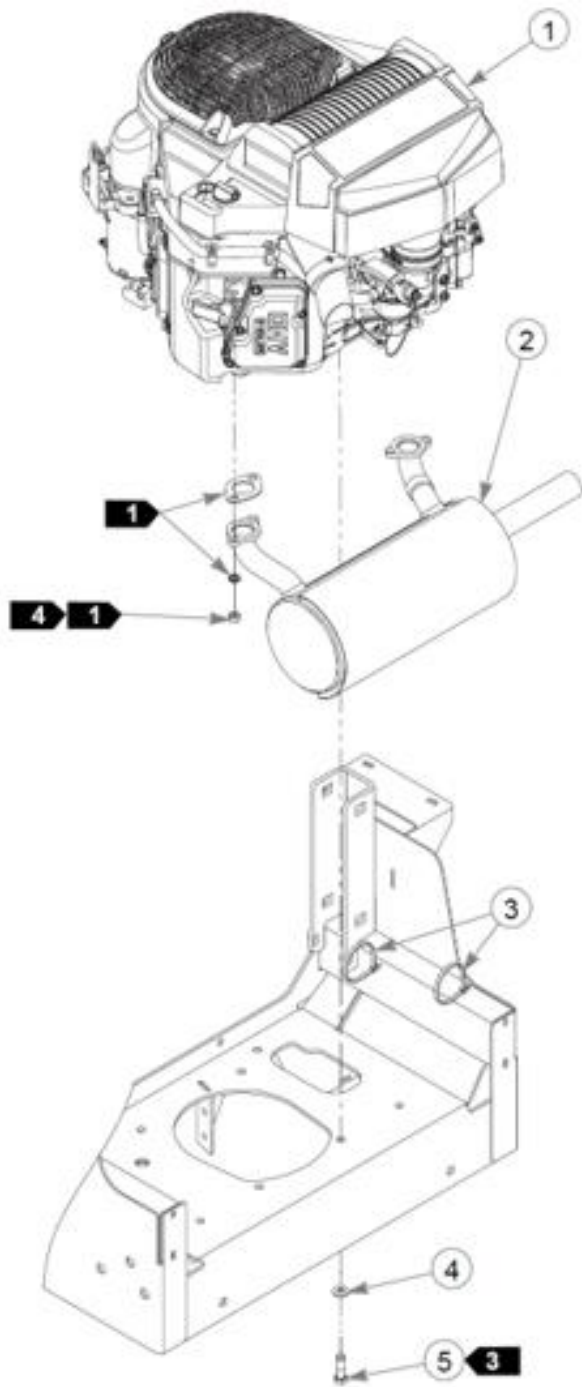


DRIVE WHEEL ASSEMBLY, CONT.

Item	Part No.	Qty	Name
1	607802	1	23X11.00-10 B4R BIG BITE TIRE
2	603737	1	WHL 10X8.50 4X4.0 BLK
3	019521	1	TIRE VALVE TR-412 GOODY

NOTES:

ENGINE, MUFFLER & CLUTCH (PAGE 1)



ENGINE, MUFFLER & CLUTCH, (PAGE 1), CONT.

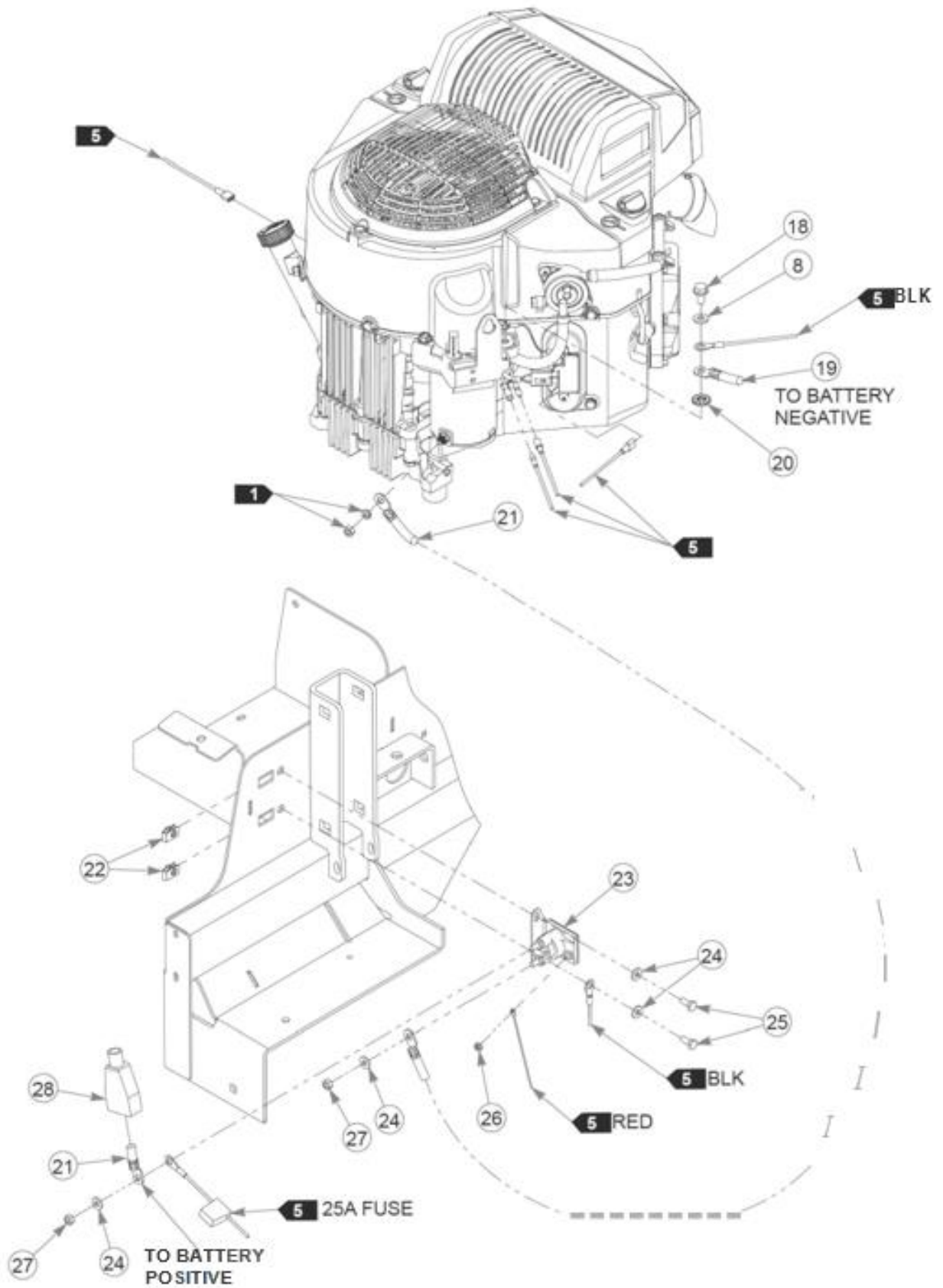
Item	Part No.	Qty	Name
1		1	ENGINE, KAW FT691V
2	604250	1	MUFFLER
N/A	608006	1	MUFFLER, 726CC KAW
3	000331	4	WIRE TIE, SMALL/SHORT
4	767954	4	FW 0.379X.82X.06 HD ZN
5	602580	4	CS .375-16X1.25HXG8ZYP85
6	036236	2	CS .312-18X1.000HXG5
7	768523	5	FW 0.343SAE
8	113946	1	CLUTCH ANCHOR
9	034272	2	NT .312-18HXG5
10	605490	1	PULLEY, ENG 4.58OP
11	712372	1	KEY 1/4 SQ X 0.66 LG(FS)
12	791251	1	HARNESS, CLUTCH PIGTAIL
	Pigtail was updated with epoxy to hold the wires steady. The wire sheath was also updated to a more flexible material.		
13	601785K	1	CLUTCH KIT
14	602680	1	FW .453X1.12X.12 HRD ZN
15	601834	1	CS .437-20X3.25 HXG5 P85
16	605317	1	HOSE, OIL DRAIN
17	033001	3"	FLEXIBLE TRIM UNI-GRIP
18	720516	1	CS M8-1.25X16HX FL10.9
19	601841	1	BATTERY CABLE, NEG.
20	029876	1	LW .312 INTEXT ZN
21	601840	2	BATTERY CABLE, POS.
22	601982	2	CN .250-20X .150 MAX THK
23	030817	1	STARTER SOLENOID
24	768515	4	FW 0.281SAE
25	064329	2	CS .250-20X0.625HXG5
26	044255	1	NT #10-32HXG5
27	024927	2	NT .250-20HXG5
28	771428	1	BATTERY CBL BOOT-RED(FS)

NOTES:

1. Supplied with the engine.
2. Torque to 45–48 ft-lbs.
3. Torque to 30–35 ft-lbs.
4. Torque to 17 ft-lbs.
5. Part of the wire harness.

TRIM LENGTH A: 3"

ENGINE, MUFFLER & CLUTCH (PAGE 2)



ENGINE, MUFFLER & CLUTCH, (PAGE 2), CONT.

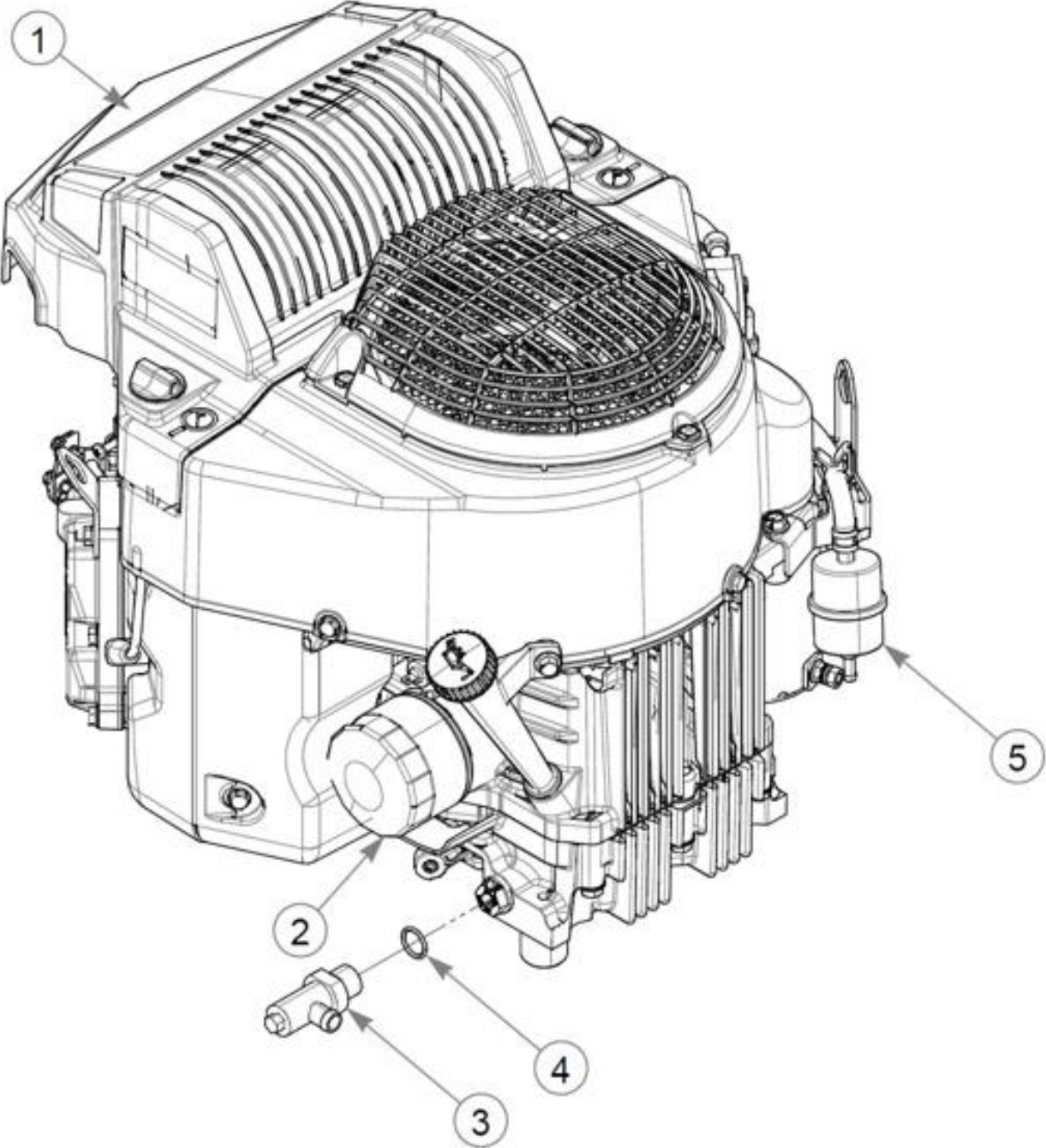
Item	Part No.	Qty	Name
1		1	ENGINE, KAW FT691V
2	604250	1	MUFFLER
N/A	608006	1	MUFFLER, 726CC KAW
3	000331	4	WIRE TIE, SMALL/SHORT
4	767954	4	FW 0.379X.82X.06 HD ZN
5	602580	4	CS .375-16X1.25HXG8ZYP85
6	036236	2	CS .312-18X1.000HXG5
7	768523	5	FW 0.343SAE
8	113946	1	CLUTCH ANCHOR
9	034272	2	NT .312-18HXG5
10	605490	1	PULLEY, ENG 4.58OP
11	712372	1	KEY 1/4 SQ X 0.66 LG(FS)
12	791251	1	HARNESS, CLUTCH PIGTAIL
	Pigtail was updated with epoxy to hold the wires steady. The wire sheath was also updated to a more flexible material.		
13	601785K	1	CLUTCH KIT
14	602680	1	FW .453X1.12X.12 HRD ZN
15	601834	1	CS .437-20X3.25 HXG5 P85
16	605317	1	HOSE, OIL DRAIN
17	033001	3"	FLEXIBLE TRIM UNI-GRIP
18	720516	1	CS M8-1.25X16HX FL10.9
19	601841	1	BATTERY CABLE, NEG.
20	029876	1	LW .312 INTEXT ZN
21	601840	2	BATTERY CABLE, POS.
22	601982	2	CN .250-20X .150 MAX THK
23	030817	1	STARTER SOLENOID
24	768515	4	FW 0.281SAE
25	064329	2	CS .250-20X0.625HXG5
26	044255	1	NT #10-32HXG5
27	024927	2	NT .250-20HXG5
28	771428	1	BATTERY CBL BOOT-RED(FS)

NOTES:

1. Supplied with the engine.
2. Torque to 45–48 ft-lbs.
3. Torque to 30–35 ft-lbs.
4. Torque to 17 ft-lbs.
5. Part of the wire harness.

TRIM LENGTH A: 3"

ENGINE SERVICE PARTS – FT691V

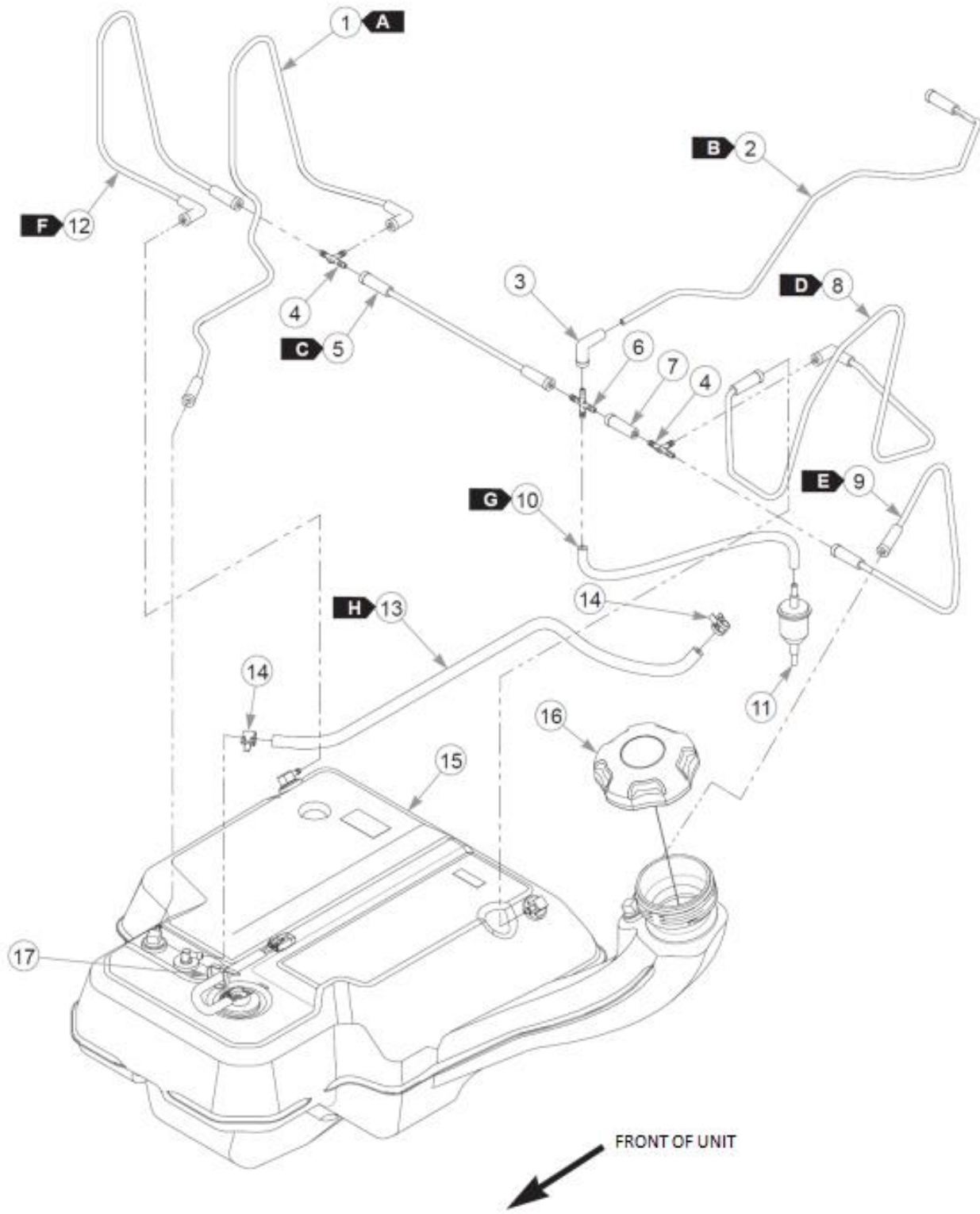


ENGINE SERVICE PARTS – FT691V, CONT.

Item	Part No.	Qty	Name
1	607968	1	AIR FILTER, KAW FT
2	602581	1	ENGINE OIL FILTER
3	604350	1	VALVE, OIL DRAIN
4	604369	1	O-RING
5	604558	1	FILTER, KAWASAKI FUEL

NOTES:

FUEL SYSTEM (PAGE 1)



FUEL SYSTEM (PAGE 1), CONT.

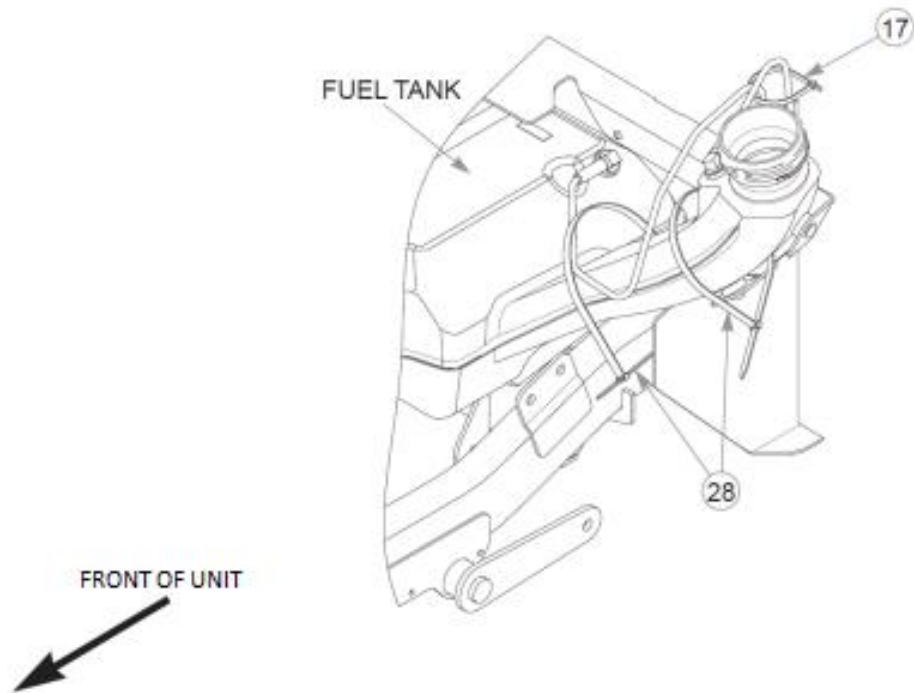
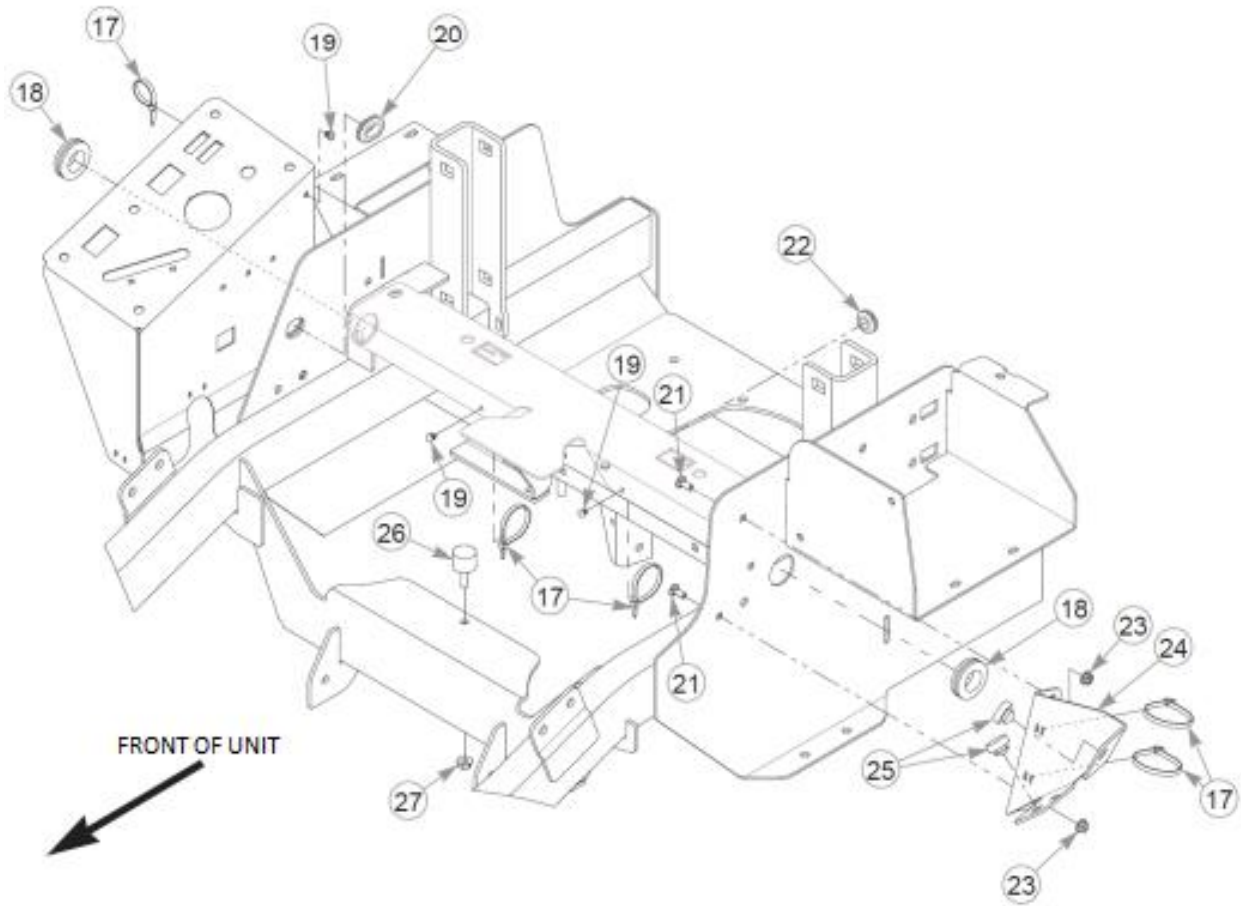
Item	Part No.	Qty	Name
1	605491	1	VAPOR LINE, 3/16 FORMED
2	605493	1	VAPOR LINE, 3/16 FORMED
3	605565	1	BOOT, 3/16 TO 3/16
4	605690	2	TEE, 3/16" PLASTIC
5	605535	1	VAPOR LINE, 3/16 FORMED
6	605425	1	CROSS, 3/16" PLASTIC
7	605564	1	BOOT, 3/16 TO 3/16
8	605534	1	VAPOR LINE, 3/16 FORMED
9	605492	1	VAPOR LINE, 3/16 FORMED
10	603326	12"	VAPOR LINE, 3/16"
	603326 Sold by the foot		
11	604323	1	VAPOR SYSTEM FILTER
12	605533	1	VAPOR LINE, 3/16 FORMED
13	015818	23"	FUEL LINE, 1/4"
	015818 Sold by the foot		
14	000323	2	CLIP, HOSE CLAMP
15	607667	1	FUEL TANK ASSY
16	603807	1	CAP, 3.5" RATCHETING GAS
17	000331	10	WIRE TIE, SMALL/SHORT
18	706531	2	GM 1.12X1.75X1.37X.12
19	604307	3	MOUNT, PUSH BUTTON
20	047456	1	GM .750X.188X1.00X.12
21	601503	2	CB .250-20 X .625 ZN
22	080358	1	GM .50X1.00X.75X.12
23	016816	2	NT .250-20FLKG5
24	124348-1	1	TANK NECK SUPPORT
25	781880	2	BUMPER, .500x 1.00x .31
26	605542	1	ISOLATOR
27	016832	1	NT .312-18FLKG5
28	602725	2	WIRE TIE,

NOTES:

FUEL & VAPOR LINE LENGTHS

- A. FRONT RIGHT SIDE PORT TO TEE (VAPOR)
- B. ENGINE TO CROSS (VAPOR)
- C. TEE TO CROSS (VAPOR)
- D. LEFT BACK PORT TO TEE (VAPOR)
- E. FILLER NECK PORT TO TEE (VAPOR)
- F. RIGHT BACK PORT TO TEE (VAPOR)
- G. 12" CROSS TO FILTER (VAPOR)
- H. 23" TANK TO FUEL FILTER

FUEL SYSTEM (PAGE 2)



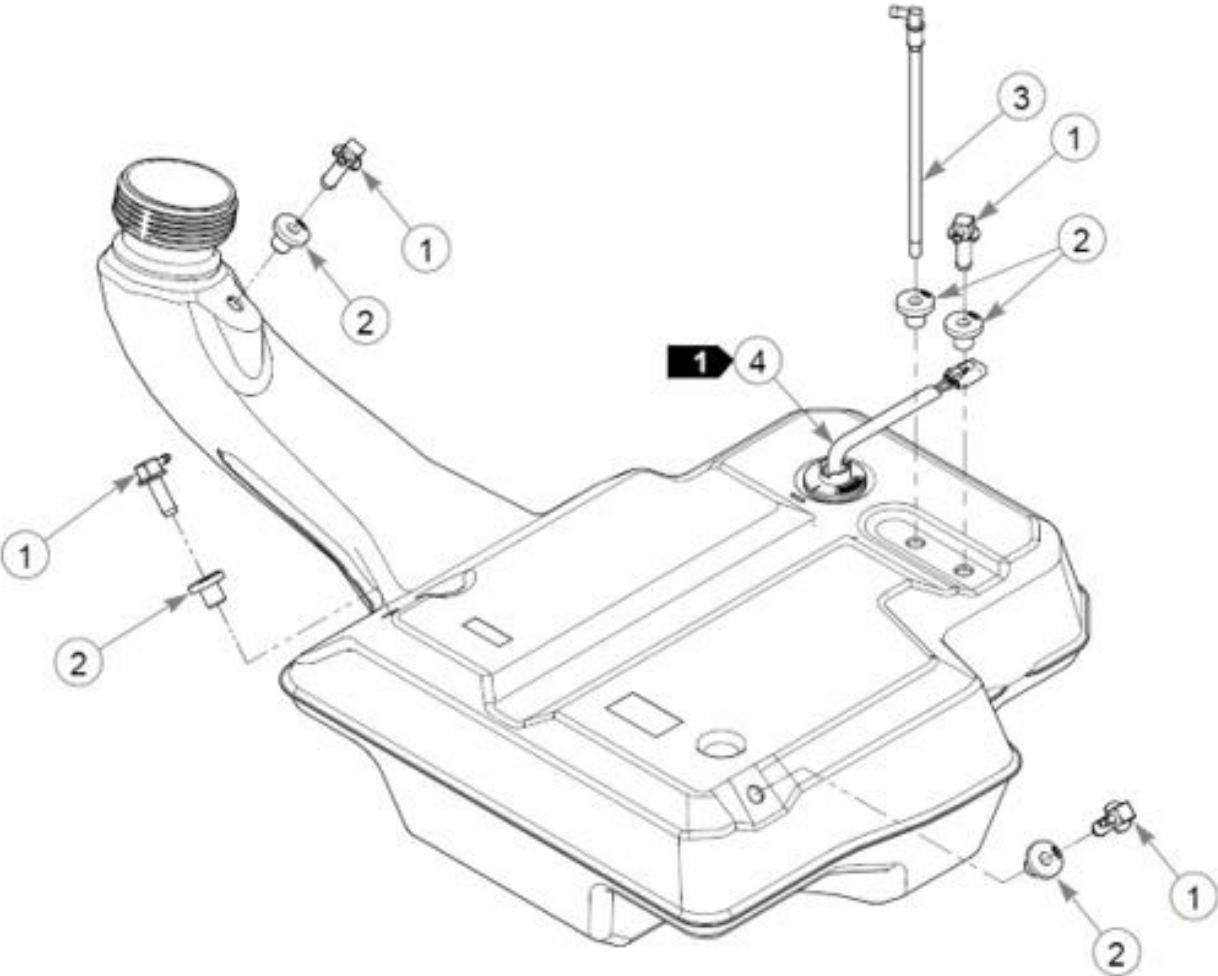
Item	Part No.	Qty	Name
1	605491	1	VAPOR LINE, 3/16 FORMED
2	605493	1	VAPOR LINE, 3/16 FORMED
3	605565	1	BOOT, 3/16 TO 3/16
4	605690	2	TEE, 3/16" PLASTIC
5	605535	1	VAPOR LINE, 3/16 FORMED
6	605425	1	CROSS, 3/16" PLASTIC
7	605564	1	BOOT, 3/16 TO 3/16
8	605534	1	VAPOR LINE, 3/16 FORMED
9	605492	1	VAPOR LINE, 3/16 FORMED
10	603326	12"	VAPOR LINE, 3/16"
	603326 Sold by the foot		
11	604323	1	VAPOR SYSTEM FILTER
12	605533	1	VAPOR LINE, 3/16 FORMED
13	015818	23"	FUEL LINE, 1/4"
	015818 Sold by the foot		
14	000323	2	CLIP, HOSE CLAMP
15	607667	1	FUEL TANK ASSY
16	603807	1	CAP, 3.5" RATCHETING GAS
17	000331	10	WIRE TIE, SMALL/SHORT
18	706531	2	GM 1.12X1.75X1.37X.12
19	604307	3	MOUNT, PUSH BUTTON
20	047456	1	GM .750X.188X1.00X.12
21	601503	2	CB .250-20 X .625 ZN
22	080358	1	GM .50X1.00X.75X.12
23	016816	2	NT .250-20FLKG5
24	124348-1	1	TANK NECK SUPPORT
25	781880	2	BUMPER, .500x 1.00x .31
26	605542	1	ISOLATOR
27	016832	1	NT .312-18FLKG5
28	602725	2	WIRE TIE,

NOTES:

FUEL & VAPOR LINE LENGTHS

- A. FRONT RIGHT SIDE PORT TO TEE (VAPOR)
- B. ENGINE TO CROSS (VAPOR)
- C. TEE TO CROSS (VAPOR)
- D. LEFT BACK PORT TO TEE (VAPOR)
- E. FILLER NECK PORT TO TEE (VAPOR)
- F. RIGHT BACK PORT TO TEE (VAPOR)
- G. 12" CROSS TO FILTER (VAPOR)
- H. 23" TANK TO FUEL FILTER

FUEL TANK SERVICE PARTS - 607667

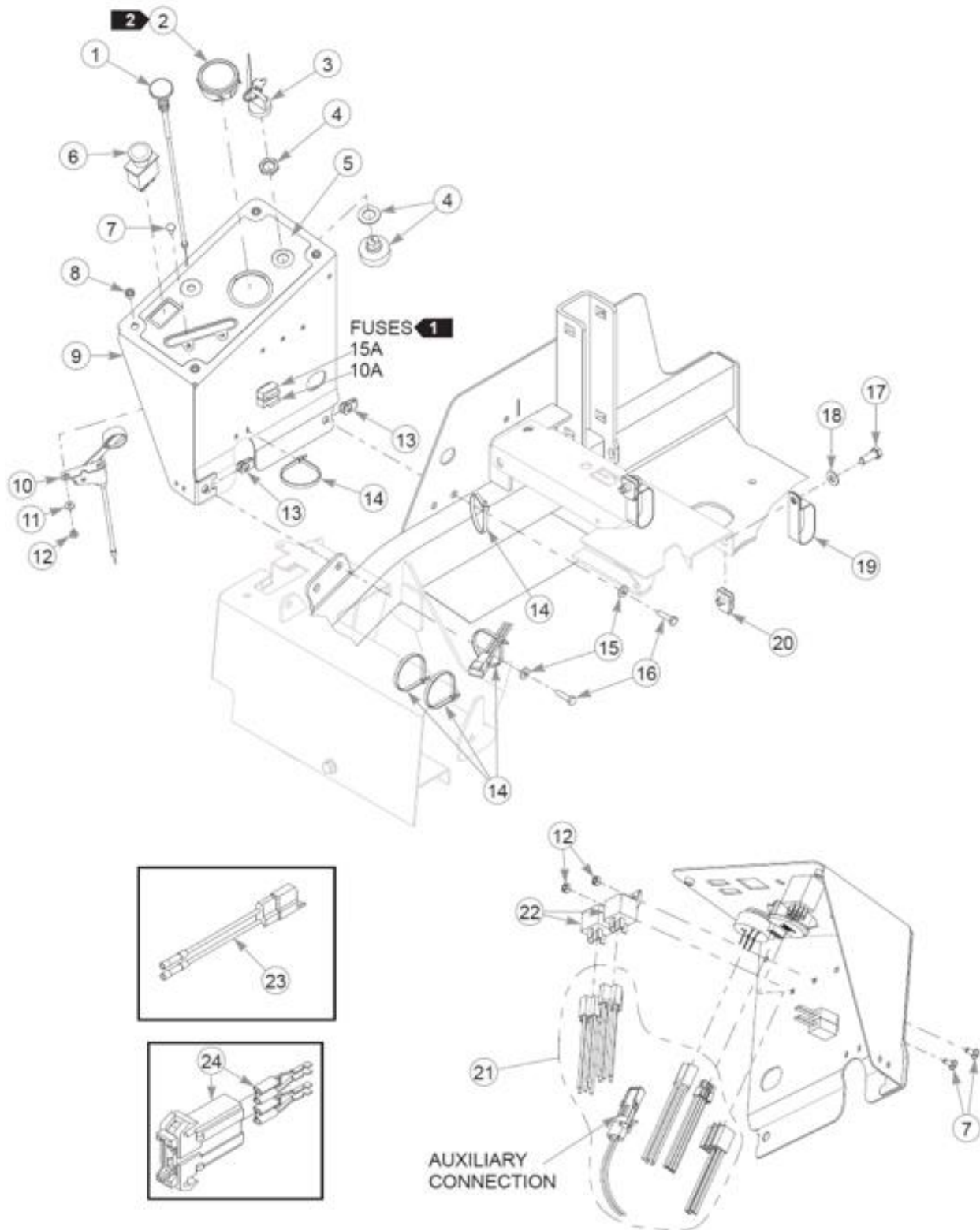


FUEL TANK SERVICE PARTS - 607667, CONT.

Item	Part No.	Qty	Name
1	604287K	3	SVC KIT, VENT FITTING
2	604200K	5	GROMMET SVC KIT
3	605126K	1	SUCTION HOSE SVC KIT
4	607453K	1	SENDER SVC KIT
N/A	608043	1	FUEL GAUGE & SENDER KIT

NOTES:

INSTRUMENT PANEL & WIRE HARNESS



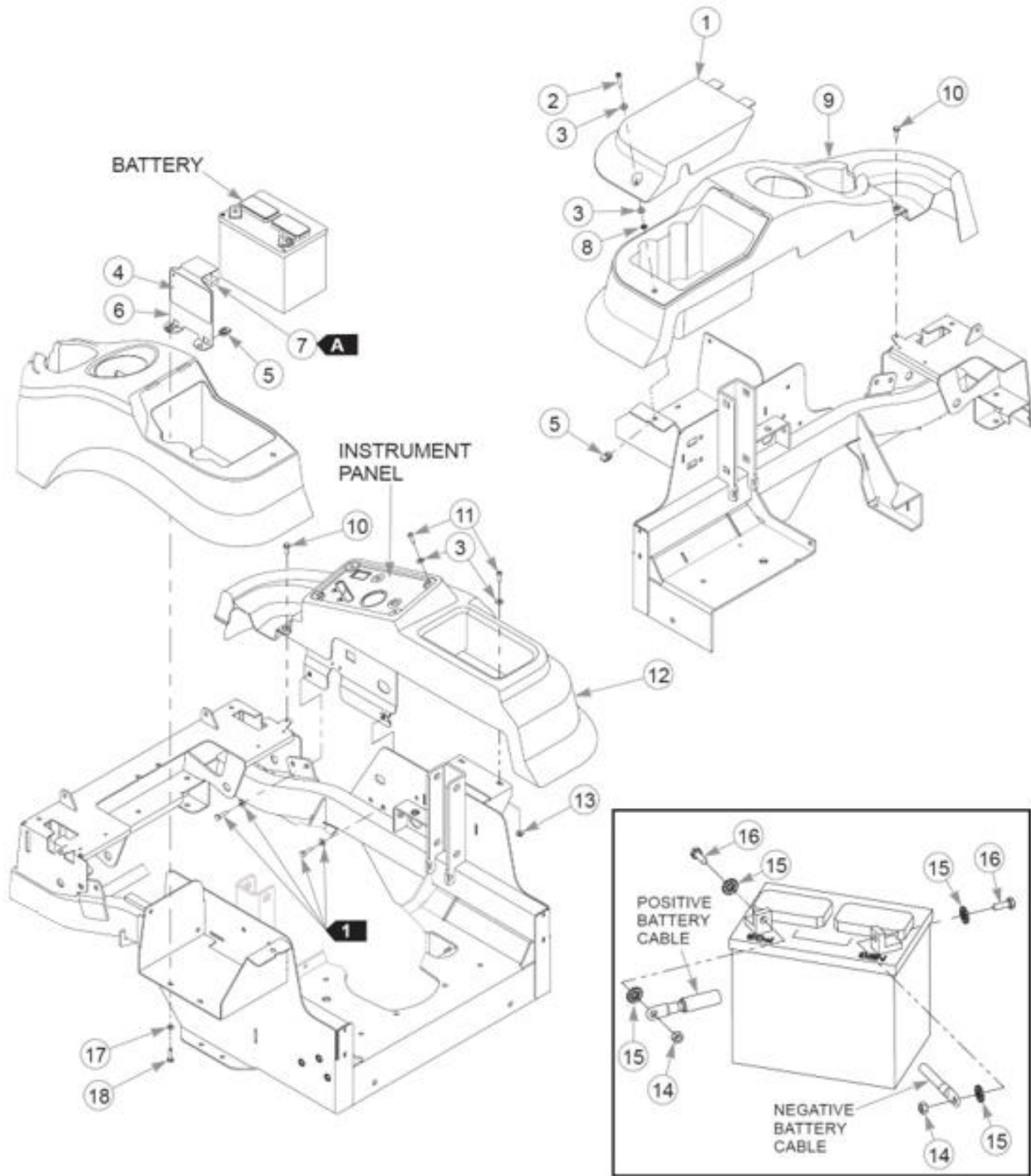
INSTRUMENT PANEL & WIRE HARNESS, CONT.

Item	Part No.	Qty	Name
1	786657	1	CABLE, CHOKE
2	607452	1	GAUGE, SING NEEDLE 12V
N/A	608043	1	FUEL GAUGE & SENDER KIT
3	785808	1	KEY ASSEMBLY
4	045898	1	IGNITION SWITCH
5	605604	1	DECAL, INST PANEL
6	776476	1	SWITCH, PTO 6201-321
7	601098	4	CB 10-24 X .500 ZYNC
8	808477	4	RIVET NUT, 1/4-20 THREA
9	554541	1	SVC, INSTR. PANEL
10	778365	1	CABLE, THROTTLE
11	704932	2	FW 0.219X.50X.05 ZN
12	059832	4	NT #10-24 HX NL ZN
13	601982	2	CN .250-20X .150 MAX THK
14	000331	7	WIRE TIE, SMALL/SHORT
15	768515	2	FW 0.281SAE
16	056077	2	CS .250-20X1.000HXG5
17	036244	2	CS .375-16X1.00 HX G5 ZN
18	767954	2	FW 0.379X.82X.06 HD ZN
19	045088	2	HOSE CLAMP 1" (FS)
20	601758	2	CN .375-16x.200 MAX THK
21	605457	1	WIRE HARNESS, FST/STT
22	601053	3	RELAY, SEALED W/BRACKET
23	114052	1	KIT, CLUTCH CONN. REP.
24	601047	1	HOLDER, FUSE

NOTES:

1. Part of the wire harness.
2. The instrument panel includes the decal.
3. The sealed relay includes a bracket.

FENDERS & BATTERY



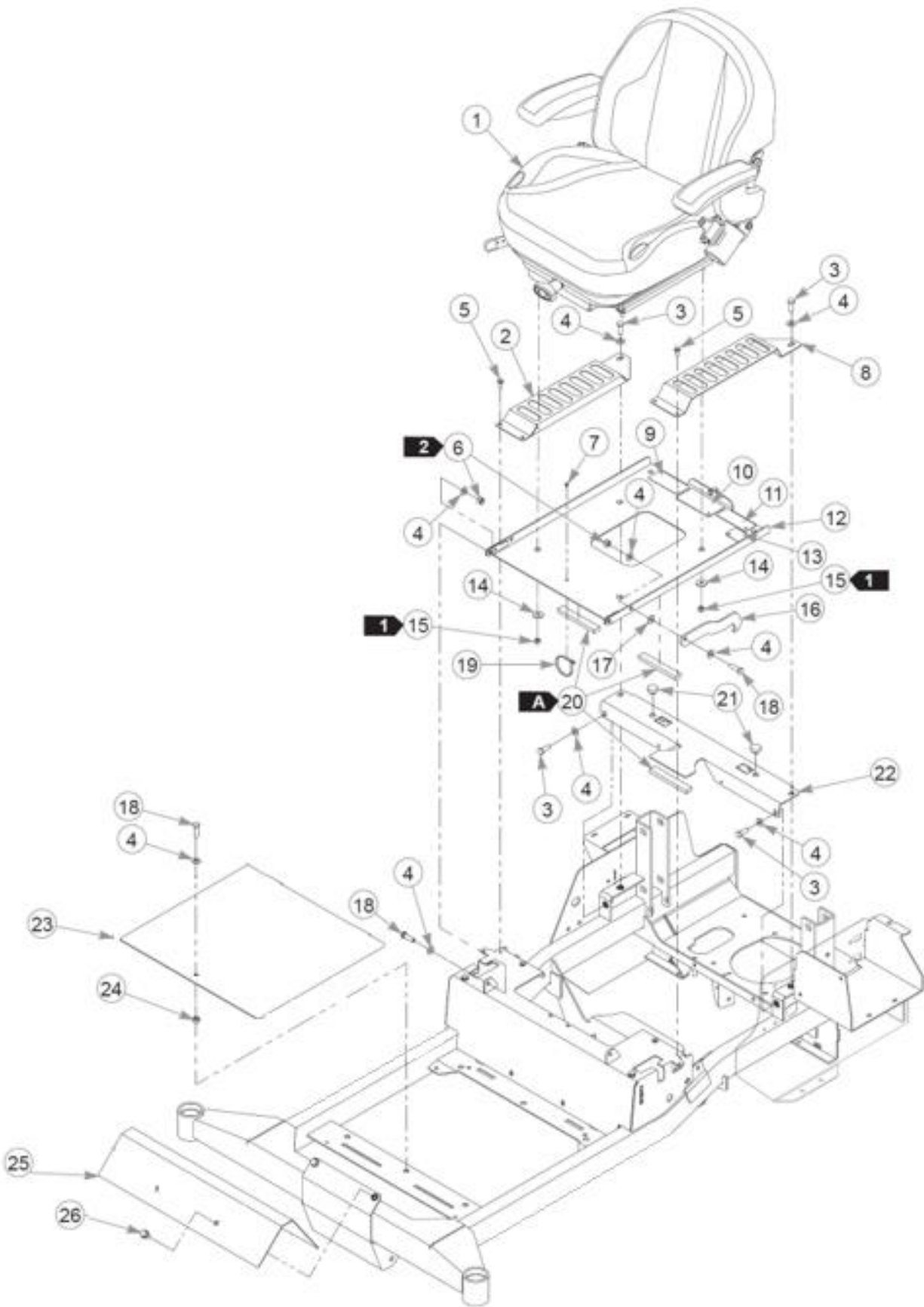
FENDERS & BATTERY, CONT.

Item	Part No.	Qty	Name
1	605558	1	FENDER LID
2	605627	1	CS .250-20 X 1.25 HX
3	605628	8	FW 0.281X.63X.07 ZB
4	601815	1	DECAL, BATTERY WARNINGS
5	601982	3	CN .250-20X .150 MAX THK
6	552858	1	BATTERY HOLD DOWN
7	713198	2.5"	SEAL 3/8x3/4 SOLD BY FT
8	605629	1	UNTHREADED PN 0.250 ID
9	605522	1	LH FENDER
10	604324	2	CS .250-20 X .75 HX FLG
11	605473	6	CS .250-20X0.75 BH TX BZ
12	605521	1	RH FENDER
13	016816	2	NT .250-20FLKG5
14	024927	2	NT .250-20HXG5
15	029868	4	LW .250 INTEXT ZN
16	055939	2	CS .250-20X0.75 HX G5 ZN
17	017079	2	FW .250SAE
18	056077	2	CS .250-20X1.000HXG5

NOTES:

1. Part of the Instrument Panel assembly.
2. When performing service, disconnect the negative battery cable (black) and do not reconnect it to the battery until ready to start the engine.
3. The battery hold down includes the seal and decal.
4. Seal Length: 2.5"

SEAT & FOOTREST (PAGE 1)



SEAT & FOOTREST (PAGE 1), CONT.

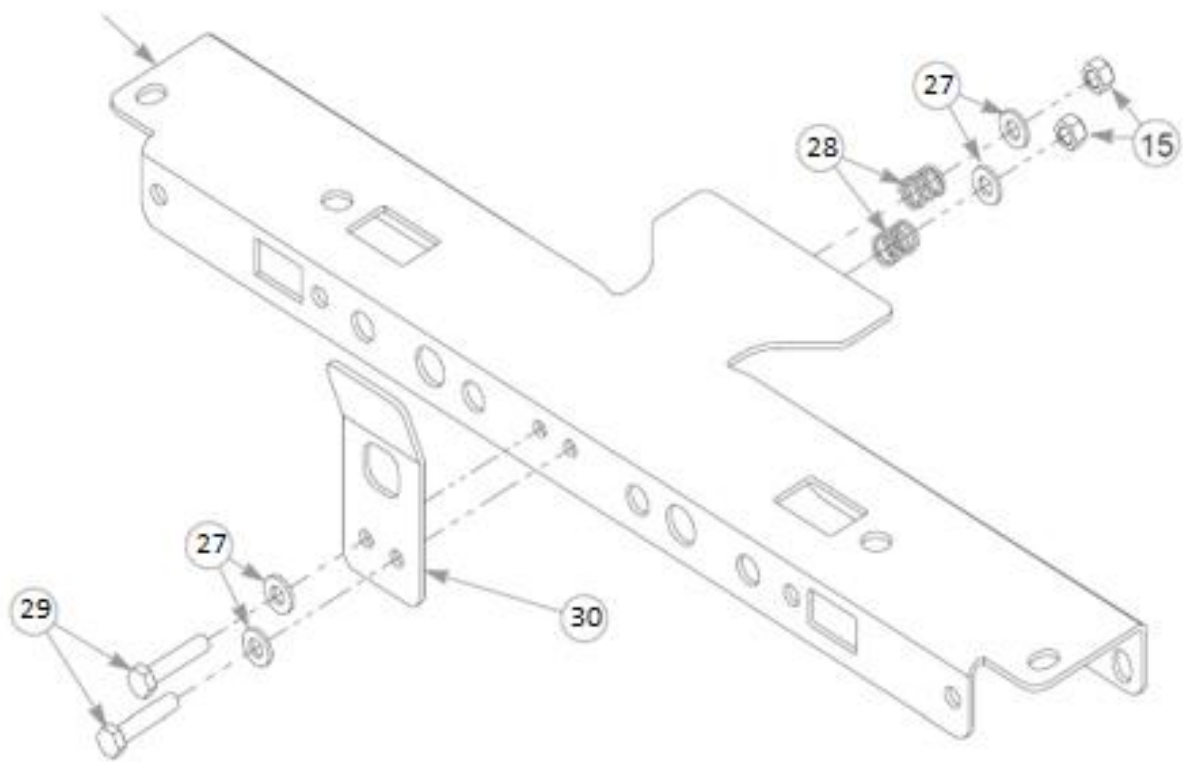
Item	Part No.	Qty	Name
1	608047	1	SEAT, SEATS INC 1110
2	123688-1	1	HYDRO GUARD, RH
3	036244	4	CS .375-16X1.00 HX G5 ZN
4	767954	11	FW 0.379X.82X.06 HD ZN
5	604324	4	CS .250-20 X .75 HX FLG
6	086660	3	NT .375-16NLG8
7	604307	1	MOUNT, PUSH BUTTON
8	123689-1	1	HYDRO GUARD, LH
9	601967	1	DECAL, ENGINE COMPART
10	600899	1	DECAL, PUMP BELT WARNING
11	779280	1	DECAL, HOT & HYD OIL
12	554679	1	SVC SEAT PAN
13	605782	1	DECAL, LEVEL FUEL BLOWM
14	712927	4	FW 0.344X1.00X.12 HD ZN
15	058776	6	NT .312-18NLG5
16	124558-4	1	SEAT STOP
17	724716	1	WASHER, FIBER (FS)
18	052860	4	CS .375-16X1.25 HX G5 ZN
19	000331	1	WIRE TIE, SMALL/SHORT
20	713198	15"	SEAL 3/8x3/4 SOLD BY FT
21	781880	2	BUMPER, .500x 1.00x .31
22	552848	1	SEAT SUPPORT (WITH TAPE)
23	124567-1	1	FLOOR PAN
24	118900	1	SPACER, DECK LIFT LINK
25	554682	1	SVC FOOT REST
26	029629	2	CS .375-16X0.75 HXF G5ZN
27	768523	4	FW 0.343SAE
28	607046	2	SPRING, COMPRESSION
29	756270	2	CS .312-18X1.500HXG5
30	124572-4	1	LATCH, SEAT

NOTES:

1. Torque to 17 ft-lbs.
2. Do not torque; the seat pan and seat stop must pivot freely.
3. The seat pan and footrest include the decals.
4. The seat support includes the seal

SEAT & FOOTREST (PAGE 2)

SEAT SUPPORT



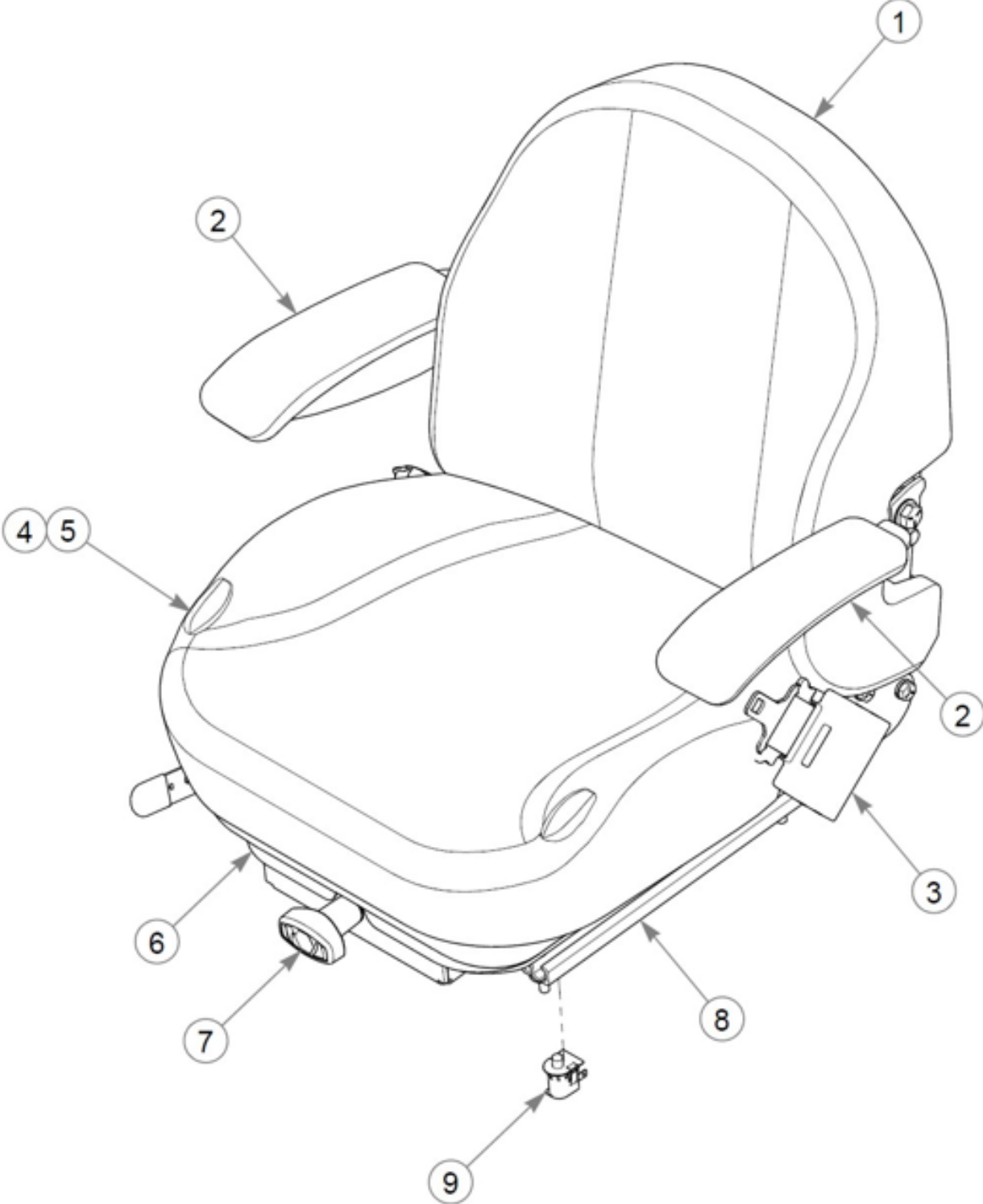
SEAT & FOOTREST (PAGE 2), CONT.

Item	Part No.	Qty	Name
1	608047	1	SEAT, SEATS INC 1110
2	123688-1	1	HYDRO GUARD, RH
3	036244	4	CS .375-16X1.00 HX G5 ZN
4	767954	11	FW 0.379X.82X.06 HD ZN
5	604324	4	CS .250-20 X .75 HX FLG
6	086660	3	NT .375-16NLG8
7	604307	1	MOUNT, PUSH BUTTON
8	123689-1	1	HYDRO GUARD, LH
9	601967	1	DECAL, ENGINE COMPART
10	600899	1	DECAL, PUMP BELT WARNING
11	779280	1	DECAL, HOT & HYD OIL
12	554679	1	SVC SEAT PAN
13	605782	1	DECAL, LEVEL FUEL BLOWM
14	712927	4	FW 0.344X1.00X.12 HD ZN
15	058776	6	NT .312-18NLG5
16	124558-4	1	SEAT STOP
17	724716	1	WASHER, FIBER (FS)
18	052860	4	CS .375-16X1.25 HX G5 ZN
19	000331	1	WIRE TIE, SMALL/SHORT
20	713198	15"	SEAL 3/8x3/4 SOLD BY FT
21	781880	2	BUMPER, .500x 1.00x .31
22	552848	1	SEAT SUPPORT (WITH TAPE)
23	124567-1	1	FLOOR PAN
24	118900	1	SPACER, DECK LIFT LINK
25	554682	1	SVC FOOT REST
26	029629	2	CS .375-16X0.75 HXF G5ZN
27	768523	4	FW 0.343SAE
28	607046	2	SPRING, COMPRESSION
29	756270	2	CS .312-18X1.500HXG5
30	124572-4	1	LATCH, SEAT

NOTES:

1. Torque to 17 ft-lbs.
2. Do not torque; the seat pan and seat stop must pivot freely.
3. The seat pan and footrest include the decals.
4. The seat support includes the seal

SEAT SERVICE PARTS - 608047

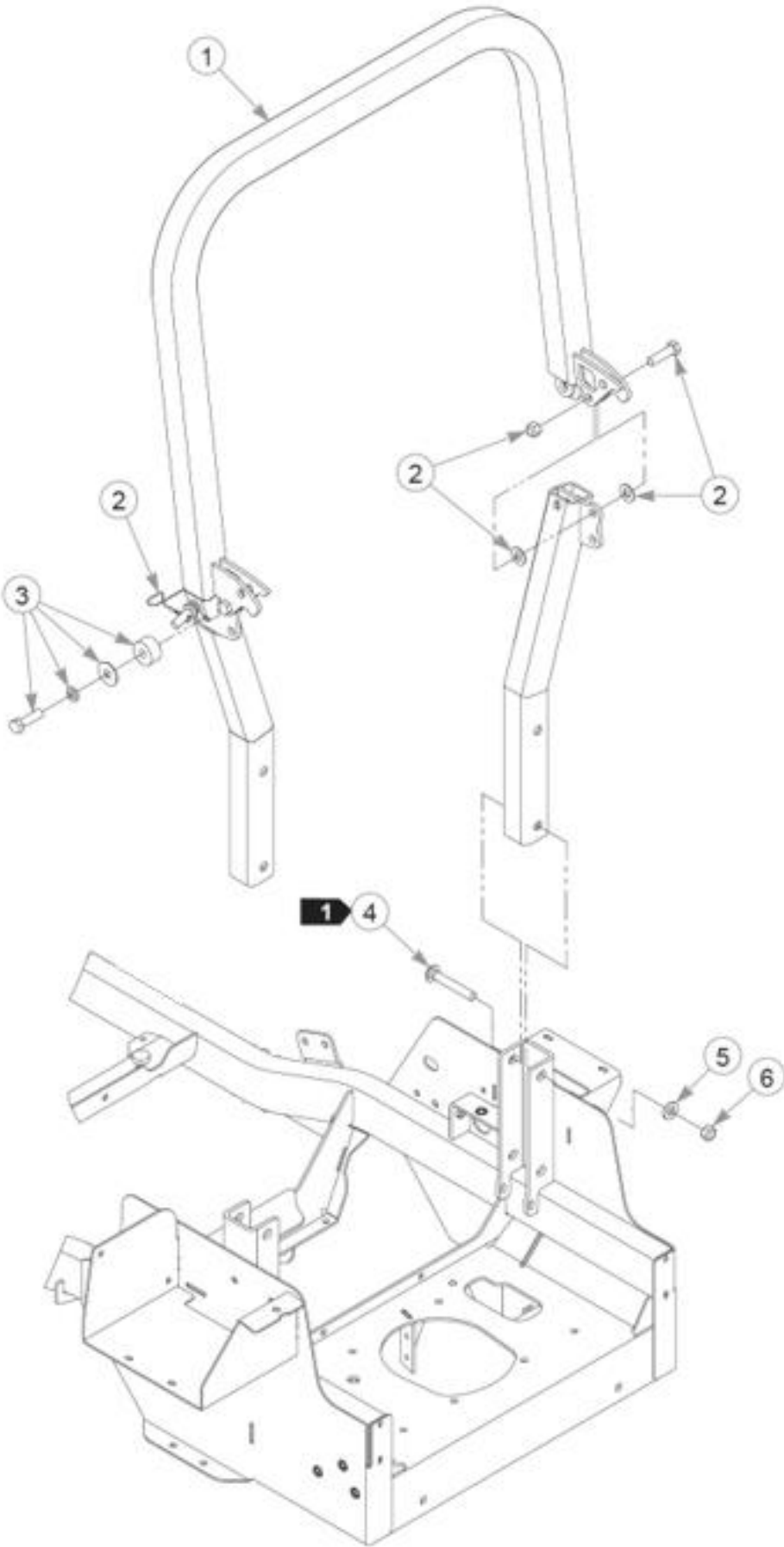


SEAT SERVICE PARTS - 608047, CONT.

Item	Part No.	Qty	Name
N/A	608047	1	SEAT, SEATS INC 1110
1	608050	1	SVC, LOW BACK COVER
2	606080	1	SVC, ARMREST SET
3	607461	1	SVC, SEAT BELT KIT
4	608350	1	SVC, SEAT FOAM 1110
5	608049	1	SVC, SEAT CUSHION COVER
6	607460	1	SVC, RUBBER BELLOW
7	607214	1	SVC RIDE ADJUST KNOB
8	607459	1	SVC, SEAT TRACK KIT
9	606082	1	SVC, OPS

NOTES:

ROPS



ROPS, CONT.

Item	Part No.	Qty	Name
1	605479	1	ROPS ASSY
2	605044	1	KIT, ROPS HARDWARE
3	605646	2	KIT, POLY STOP (PAIR)
4	607008	4	CB .50-13 X 3.25 GR5
5	767962	4	FW .531 x 1.063 x .175
6	023317	4	NT .500-13UNTG8

NOTES:

- 1. Torque to 73 ft-lbs.



4529 Industrial Parkway
Cleveland, OH 44135

800-877-1500
PioneerAthletics.com