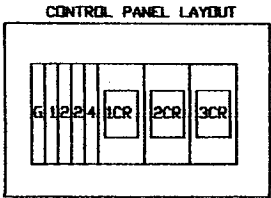
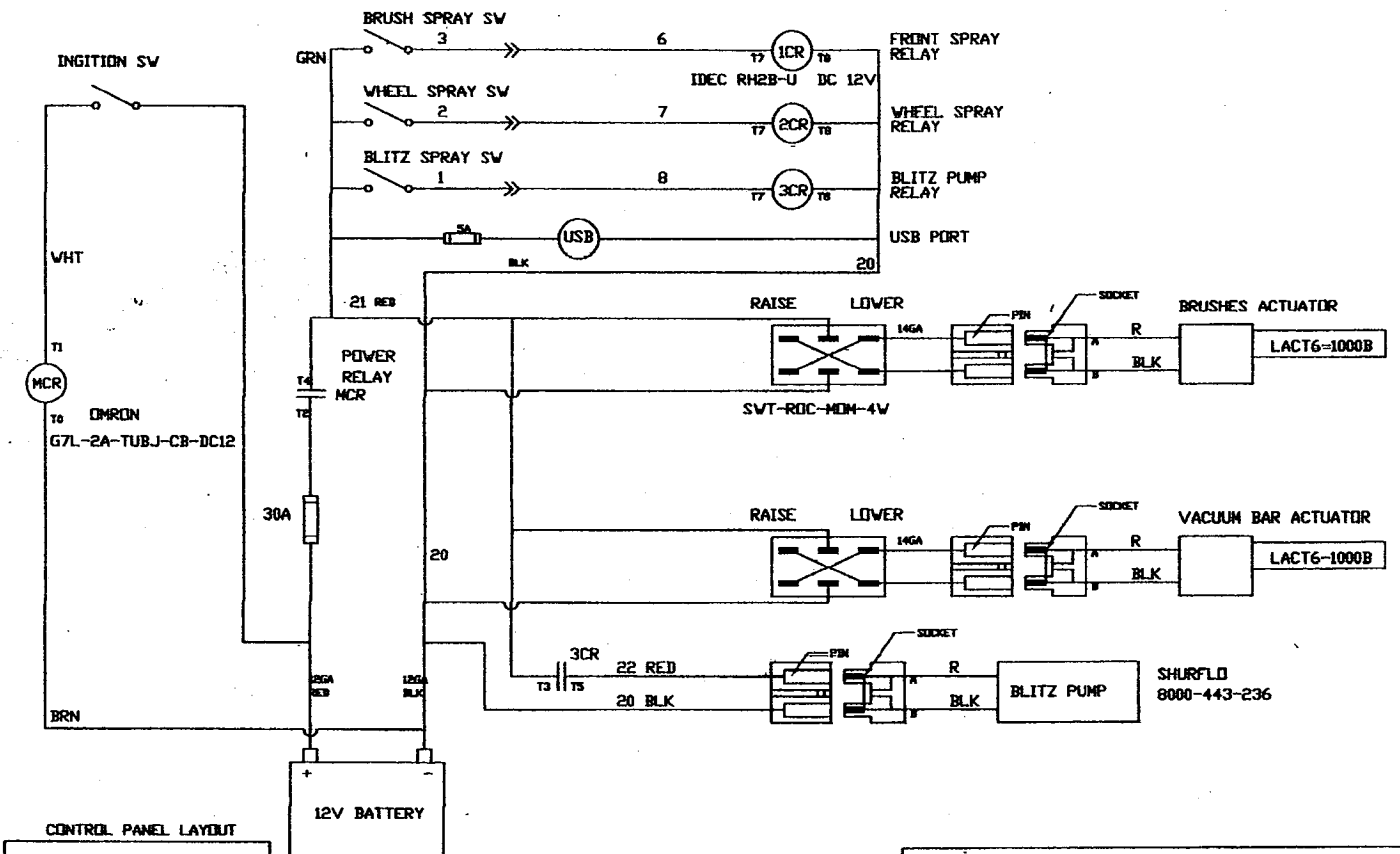


12V DC



INOVENT ENGINEERING MACEDONIA, OH 44056	
BREAK CORNER: 010	TITLE
REMOVE ALL BOLTS	PIONEER ATHLETICS
TELEPHONE: UNLESS NOTED:	2017 P REX MARK I
FRONT-2	ELECTRICAL SCHEMATIC
DEC. 30- 2,010	SCALE
300- 1,000	NONE
DATE: 2/20/2017	DRAWING NO.
DESIGNED: RLF	7404-E1
CHECKED:	
APPROVED:	